

Part No零件编号	Description	零部件名称	Fig图号	Part No零件编号	Description	零部件名称	Fig图号
00010-30T11	Clip	双钢丝卡箍Φ10	Fig17	00093-0800A	Washer	垫圈8	Fig21
00012-30T11	Clip Φ12	双钢丝卡箍Φ12	Fig21	00093-0800A	Washer, lock	垫圈6	Fig22
00015-30T11	Clip Φ15	双钢丝卡箍Φ15	Fig21	00093-0800A	Washer, lock	垫圈8	Fig22
00015-30T11	Clip Φ15	双钢丝卡箍Φ15	Fig21	00093-0800A	Washer	垫圈8	Fig30
00067-0455A	Screw	螺钉M4x55	Fig59	00093-0800A	washer	垫圈8	Fig50
00067-0520A	Screw	螺钉M5x20	Fig60	00093-0800A	washer	垫圈8	Fig51
00067-0550A	Screw	螺钉M5x50	Fig58	00093-0801A	Washer, lock	垫圈8	FIG02
00067-0625A	Screw	螺钉M6x25	Fig60	00093-0801A	Washer, lock	垫圈8	FIG03
00070-1030A	Bolt	螺钉M10x1.25x25	Fig42	00093-0801A	Shim	垫圈8	FIG04
00071-0610A	Screw	螺钉M5x5	Fig47	00093-0801A	washer	垫圈8	Fig25
00072-30T11	Clip	双钢丝卡箍Φ72	Fig20	00093-0801A	Washer, lock	垫圈8	Fig27
00078-0808A	Screw	螺钉M8×8	Fig06	00093-0801A	Washer, lock	垫圈8	Fig27
00078-0808A	Screw	螺钉M8×8	Fig46	00093-0801A	Washer, lock	垫圈8	Fig28
00080-0608A	Screw	螺钉M6x8	Fig48	00093-0801A	washer	垫圈8	Fig29
00091-0216A	Pin	销2x16	Fig34	00093-0801A	shim	垫圈8	Fig38-1
00091-0220	Pin, cotter	开口销2x20	Fig35	00093-0801A	shim	垫圈8	Fig38-2
00091-0220	Pin, cotter	开口销2x20	Fig36	00093-0801A	Washer	垫圈8	Fig40
00091-0220	Pin, cotter	开口销2x20	Fig37	00093-0801A	Washer	垫圈8	Fig41
00091-0330A	Pin	开口销3x30	Fig47	00093-0801A	Washer	垫圈8	Fig42
00091-12120	Pin, cotter	开口销1.2x12	Fig35	00093-0801A	Washer	垫圈8	Fig42
00091-12120	Pin, cotter	开口销1.2x12	Fig36	00093-1000A	Washer, lock	垫圈10	FIG03
00091-12120	Pin, cotter	开口销1.2x12	Fig37	00093-1000A	Washer	垫圈10	Fig17
00091-1620A	Pin	开口销1.6x20	Fig30	00093-1000A	Washer	垫圈10	Fig18
00091-3216A	Pin	销3.2x16	Fig31	00093-1001A	Washer, lock	垫圈10	FIG02
00091-3216A	Pin	销3.2x16	Fig31	00093-1001A	Washer, lock	垫圈10	FIG04
00091-3216A	Pin	销3.2x16	Fig31	00093-1001A	Washer	垫圈10	Fig07
00091-3220A	Pin	开口销3.2x20	Fig47	00093-1001A	Washer, lock	垫圈10	Fig09
00091-3220B	Plug	塞子	Fig46	00093-1001A	Washer10	垫圈10	Fig16
00092-63550	Pin	销5×45	Fig22	00093-1001A	Washer	垫圈10	Fig35
00093-0600A	Washer	垫圈8	Fig45	00093-1001A	Washer	垫圈10	Fig36
00093-0601A	Washer, lock	垫圈6	Fig14	00093-1001A	Washer	垫圈10	Fig37
00093-0800A	Washer	垫圈8	Fig18	00093-1001A	shim	垫圈10	Fig38
00093-0800A	WASHER	垫圈8	Fig20	00093-1001A	shim	垫圈10	Fig38-1

Part No零件编号	Description	零部件名称	Fig图号	Part No零件编号	Description	零部件名称	Fig图号
00093-1001A	Shim	垫圈10	Fig42	00097-0801A	Shim	垫圈8	Fig37
00093-1200A	Washer	垫圈12	Fig22	00097-0801A	shim	垫圈8	Fig38-1
00093-1200A	Washer, lock	垫圈12	Fig23	00097-1000A	Washer	垫圈10	Fig18
00093-1201A	Washer, lock	垫圈12	Fig10	00097-1001A	Shim	垫圈10	Fig31
00093-1201A	Shim	垫圈12	Fig25	00097-1001A	Washer	垫圈10	Fig38
00093-1400A	Washer	垫圈14	Fig22	00097-1001A	shim	垫圈10	Fig38-1
00093-1400A	Washer, lock	垫圈14	Fig46	00119-0330B	Pin	销3×30	Fig46
00093-1400A	washer	垫圈	Fig50	00119-0616A	Pin	圆柱销6×16	FIG05
00093-1400A	washer	垫圈14	Fig51	00119-0625A	Pin parallel	销6×25	Fig07
00093-1401A	Washer, lock	垫圈14	Fig09	00119-0826A	Pin	销B8×26	Fig09
00093-1401A	Washer	垫圈14	Fig52	00119-1020B	Pin	销8×20	Fig22
00093-1401A	Washer	垫圈14	Fig53	00119-1026B	Pin	销D10×26	Fig46
00093-1401A	Washer	垫圈14	Fig54	00119-1220B	Pin	销B12×20	FIG03
00093-1600A	Washer, lock	垫圈16	Fig47	00119-1230B	Pin	销D12x30	Fig42
00093-1601A	Shim	垫圈16	Fig40	00160-30T11	Clip	双钢丝卡箍 φ9-16	Fig38
00093-1601A	Shim	垫圈16	Fig41	00160-30T11	Clip	双钢丝卡箍 φ9-16	Fig38-1
00093-1601A	Shim	垫圈14	Fig42	00272-21100	Bearing	轴承211	Fig07
00093-3001A	Washer, lock	垫圈30	Fig27	00276-20600	Bearing	轴承6206-2RS	Fig06
00096-1000A	Washer	垫圈10	Fig17	00276-62060	Bearing	轴承6206-2RS	FIG03
00096-1001A	Washer	垫圈10	Fig09	00276-62070	Bearing	轴承6207	FIG03
00097-0501A	Shim	垫圈5	Fig35	00290-94332	Bearing	滚针轴承942/25	Fig22
00097-0501A	shim	垫圈5	Fig36	00294-30208	Bearing	轴承32208	FIG03
00097-0501A	shim	垫圈5	Fig37	00294-30213	Big bearing, taper	轴承30213	Fig09
00097-0600A	Washer	垫圈6	Fig34	00294-32207	Bearing	轴承32207	Fig07
00097-0600A	Washer	垫圈6	Fig34	00294-32208	Bearing	轴承32208	FIG03
00097-0800A	Washer	垫圈8	Fig18	00297-30206	Bearing	轴承30206	Fig22
00097-0800A	Washer	垫圈8	Fig30	00297-30208	Bearing	轴承30208	Fig22
00097-0800A	Shim	垫圈8	Fig31	00301-51208	Bearing	单向推力球轴承总成	Fig22
00097-0801A	washer	垫圈8	Fig25	00311-10110	Bolt	螺栓M10×110	Fig16
00097-0801A	Shim	垫圈8	Fig31	00810-6000A	Nut	圆螺母M60×2	Fig09
00097-0801A	Shim	垫圈8	Fig31	00858-6000A	washer locker	垫圈60	Fig09
00097-0801A	Shim	垫圈8	Fig35	00882-06150	Pin	销轴6x15	Fig34
00097-0801A	shim	垫圈8	Fig36	00882-0818A	Pin	销轴8x18	Fig30

Part No零件编号	Description	零部件名称	Fig图号	Part No零件编号	Description	零部件名称	Fig图号
00097-0801A	Shim	垫圈8	Fig37	00882-08240	Pin	销轴8x24	Fig31
00097-0801A	shim	垫圈8	Fig38-1	00882-08240	Pin	销轴8x24	Fig31
00097-1000A	Washer	垫圈10	Fig18	00882-08240	Pin	销轴8x24	Fig35
00097-1001A	Shim	垫圈10	Fig31	00882-08240	Pin	销轴8x24	Fig35
00097-1001A	Washer	垫圈10	Fig38	00882-08240	Pin	销轴8x24	Fig36
00097-1001A	shim	垫圈10	Fig38-1	00882-08240	Pin	销轴8x24	Fig37
00119-0330B	Pin	销3×30	Fig46	00882-08300	Pin	销轴8x30	Fig31
00119-0616A	Pin	圆柱销6×16	FIG05	00893-2000A	Snap ring	挡圈20	Fig38-2
00119-0625A	Pin parallel	销6×25	Fig07	00893-2400A	Snap ring	挡圈24	FIG03
00119-0826A	Pin	销B8×26	Fig09	00896-0800A	Circlip	卡簧8	Fig30
00119-1020B	Pin	销8×20	Fig22	00971-0800A	Washer	垫圈8	Fig22
00119-1026B	Pin	销D10×26	Fig46	00971-0801A	Shim	垫圈8	FIG04
00119-1220B	Pin	销B12×20	FIG03	00971-0801A	washer	垫圈8	Fig29
00119-1230B	Pin	销D12x30	Fig42	00971-1200A	Washer, lock	垫圈12	Fig22
00160-30T11	Clip	双钢丝卡箍 φ 9-16	Fig38	00971-3000A	Washer	垫圈24	Fig22
00160-30T11	Clip	双钢丝卡箍 φ 9-16	Fig38-1	00982-24000	Washer	组合垫24	Fig21
00272-21100	Bearing	轴承211	Fig07	00987-2400A	Gasket	组合垫24	Fig38
00276-20600	Bearing	轴承6206-2RS	Fig06	00987-2400A	Gasket	组合垫24	Fig38-1
00276-62060	Bearing	轴承6206-2RS	FIG03	01153-1045L	Cup	油杯45°	Fig40
00276-62070	Bearing	轴承6207	FIG03	01153-1045L	Cup	油杯45°	Fig41
00290-94332	Bearing	滚针轴承942/25	Fig22	01153-1045L	Cup	油杯45°	Fig42
00294-30208	Bearing	轴承32208	FIG03	01235-09190	O-ring	O形圈9×1.9	FIG04
00294-30213	Big bearing, taper	轴承30213	Fig09	01235-10031	O-ring seal	O形圈74.4x3.1	Fig47
00294-32207	Bearing	轴承32207	Fig07	01235-15240	O-ring	O形圈15×2.4	FIG03
00294-32208	Bearing	轴承32208	FIG03	01235-17265	O-ring	O形圈17x2.65	Fig26
00297-30206	Bearing	轴承30206	Fig22	01235-17265	O-ring	O形圈17x2.65	Fig26
00297-30208	Bearing	轴承30208	Fig22	01235-17265	O-ring	O形圈17x2.65	Fig38
00301-51208	Bearing	单向推力球轴承总成	Fig22	01235-20240	O-ring	O形密封圈20x2.4	Fig44
00311-10110	Bolt	螺栓M10×110	Fig16	01235-20240	O-ring	O形密封圈20x2.4	Fig45
00810-6000A	Nut	圆螺母M60×2	Fig09	01235-22240	O-ring	O形密封圈22x2.4	Fig43
00858-6000A	washer locker	垫圈60	Fig09	01235-22240	O-ring	O形密封圈24x2.4	Fig44
00882-06150	Pin	销轴6x15	Fig34	01235-22265	O-ring	O形密封圈22x2.65	Fig45
00882-0818A	Pin	销轴8x18	Fig30	01235-26240	O-ring seal	O形圈26x2.4	Fig48

Part No零件编号	Description	零部件名称	Fig图号	Part No零件编号	Description	零部件名称	Fig图号
01235-28350	O-ring	O形圈28×3.5	FIG03	05782-0820A	Bolt	螺栓M8x20	Fig41
01235-28355	O-ring	O形圈28x3.55	Fig38	05782-0820A	Bolt	螺栓M8x20	Fig42
01235-28355	O-ring	O形圈28×3.55	Fig38-1	05782-0820A	Bolt	螺栓M8x20	Fig42
01235-33735	O-ring	O形圈33.7×3.5	Fig06	05782-0820A	Bolt	螺栓M8x20	Fig45
01235-35310	O-ring	O形圈35×3.1	FIG03	05782-08250	Bolt	螺栓M8×25	FIG02
01235-47355	O-ring	O型密封圈47.5×3.55	Fig24	05782-0825A	Bolt	螺栓M8×25	FIG04
01235-48265	O-ring	O型圈47.5×2.65	Fig46	05782-0825A	Bolt	螺栓M8×25	FIG05
01235-48355	O-ring	O型密封圈48.7×3.55	Fig24	05782-0825A	Bolt	螺栓M8x25	Fig31
01235-55310	O-ring seal	O形圈55x3.1	Fig48	05782-0830A	Bolt	螺栓M8×30	Fig27
01235-75310	O-ring	O形圈75×3.1	Fig07	05782-0835A	Bolt	螺栓M8×35	FIG03
01235-80310	O-ring	O形圈80×3.1	FIG03	05782-0835A	Bolt	螺栓M8×35	FIG04
01319-30T11	Clip	卡箍Φ13-19	Fig26	05782-0835A	Bolt	螺栓M8×25	FIG05
03651-30T11	Clip	双钢丝卡箍Φ35-51	Fig17	05782-0835A	Bolt	螺栓M8×35	Fig28
05781-00820	Bolt	螺栓M8×20	Fig38-1	05782-0845A	Bolt	螺栓M8×45	FIG03
05781-00825	Bolt	螺栓M8×25	Fig38-2	05782-0850A	Bolt	螺栓M8×50	FIG04
05781-00835	Bolt	螺栓M8×35	Fig38-2	05782-0850A	Bolt	螺栓M8x50	Fig30
05781-0610A	Bolt	螺栓M6x10	Fig34	05782-0855A	Bolt	螺栓M8×55	FIG04
05781-0816A	Bolt	螺栓M8x16	Fig34	05782-0870A	Bolt	螺栓M8x70	Fig30
05781-0816A	Bolt	螺栓M8x16	Fig38	05782-10100	Bolt	螺栓M10x100	Fig31
05781-0816A	Bolt	螺栓M8×16	Fig38-1	05782-10110	Bolt	螺栓M10x110	Fig31
05781-0820A	Bolt	螺栓M8x20	Fig29	05782-1025A	Bolt	螺栓M10x25	Fig07
05781-0820A	Bolt	螺栓M8x20	Fig29	05782-1030A	Bolt	螺栓M10×30	FIG03
05781-0830A	Bolt	螺栓M8x30	Fig38	05782-1040A	Bolt	螺栓M10×40	FIG04
05782-0616A	Bolt	螺栓M6×16	Fig14	05782-1040A	Bolt	螺栓M10×1.25×40	Fig22
05782-0625A	Bolt	螺栓M6x25	Fig60	05782-1040A	Bolt	螺栓M10×40	Fig38-1
05782-0812A	Bolt	螺栓M8×12	FIG04	05782-1045A	Bolt	螺栓M10x45	Fig31
05782-0816A	Bolt M8X1x16	螺栓M8X1x16	Fig21	05782-1050A	Bolt	螺栓M10×50	FIG03
05782-0816A	Bolt	螺栓M8×16	Fig38-1	05782-1050A	Bolt	螺栓M10×50	Fig17
05782-0818A	Bolt	螺栓M6×12	Fig22	05782-1050A	Bolt	螺栓M10x50	Fig38
05782-0820A	Bolt	螺栓M8×20	FIG03	05782-1055A	Bolt	螺栓M10×55	FIG03
05782-0820A	Bolt	螺栓M8x20	Fig17	05782-1055A	Bolt	螺栓M10×55	FIG04
05782-0820A	Bolt	螺栓M8×20	Fig27	05782-1075A	Bolt	螺栓M10×75	FIG03
05782-0820A	Bolt	螺栓M8x20	Fig40	05782-1240A	Bolt	螺栓M12×40	Fig22

Part No零件编号	Description	零部件名称	Fig图号	Part No零件编号	Description	零部件名称	Fig图号
05782-1430B	Bolt	螺栓M14x30	Fig52	05787-0820A	Bolt	螺栓M8x20	Fig36
05782-1430B	Bolt	螺栓M14x30	Fig53	05787-0820A	Bolt	螺栓M8x20	Fig37
05782-1430B	Bolt	螺栓M14x30	Fig54	05787-0825A	Bolt	螺栓M8x25	Fig26
05783-0820A	Bolt	螺栓M8×20	Fig16	05787-0830A	Bolt	螺栓M8×30	Fig38-1
05783-0820A	Bolt	螺栓M8×20	Fig50	06170-0500A	Nut	螺母M5	Fig58
05783-0820A	Bolt	螺栓M8×20	Fig51	06170-0600A	Clip	卡箍Φ	Fig32
05783-1035A	Bolt	螺栓M10×35	Fig09	06170-0800A	Nut	螺母M8	Fig18
05783-1035B	Bolt	螺栓M10x35	Fig49	06170-0800A	Nut	螺母M8	Fig20
05783-1050A	Bolt	螺栓M10×40	Fig18	06170-0800A	Bolt	螺母M8	Fig28
05785-0820A	Bolt M8×1.0×20	螺栓M8×1.0×20	Fig38-2	06170-0800A	Nut	螺母M8	Fig32
05785-10350	Bolt	螺栓M10×1.25×35	FIG02	06170-0800A	Nut	螺母M8	Fig38-2
05785-10500	Bolt	螺栓M10×35	FIG02	06170-1000A	Nut	螺母M10	Fig07
05785-1055A	Bolt	螺栓M10×1.5×55	Fig16	06170-1000A	Nut	螺母M10	Fig09
05785-1470A	Bolt	螺栓M14x1.5x70	Fig40	06170-1000A	Nut	螺母M10	Fig17
05785-1470A	Bolt	螺栓M14x1.5x70	Fig41	06170-1000A	Nut	螺母M10	Fig18
05785-1470A	Bolt	螺栓M14x1.5x70	Fig42	06170-1000A	Nut	螺母M10	Fig18
05785-1660A	Bolt	螺栓M16x1.5x60	Fig47	06170-1000A	Nut	螺母M10	Fig31
05785-24120	Bolt	螺栓M24×120	Fig27	06170-1000A	Nut	螺母M10	Fig35
05785-24150	Bolt	螺栓M24×150	Fig27	06170-1000A	Nut	螺母M10	Fig36
05786-0820A	Bolt	螺栓M8×1×20	Fig38	06170-1000A	Nut	螺母M10	Fig37
05786-0820A	Bolt	螺栓M8×1×20	Fig38-1	06170-1200A	Nut	螺母M12	Fig10
05786-1050B	Bolt	螺栓M10x1.5x50	Fig49	06170-1200A	Nut	螺母M10x1.25	Fig22
05786-1225A	Bolt	螺栓M12×1.25×25	Fig46	06170-1200A	Nut	螺母M12	Fig23
05786-1420A	Bolt	螺栓M10×35	Fig09	06170-1200A	Nut	螺母M12	Fig25
05786-1440A	Bolt	螺栓M14×1.5×40	Fig22	06170-1200A	Nut	螺母M12	Fig31
05786-1450A	Bolt	螺栓M14×1.5×50	Fig46	06171-10125	Nut	螺母M8×1	Fig22
05786-1455A	Bolt	螺栓M14×55	Fig50	06171-1400A	Nut	螺母M14×1.5	Fig46
05786-1455A	Bolt	螺栓M14×55	Fig51	06171-1415A	Nut	螺母M14x1.5	Fig47
05787-0630A	Bolt	螺栓M6x30	Fig32	06171-1415A	nut	螺母M14	Fig50
05787-0816A	Bolt	螺栓M8x16	Fig26	06171-1415A	nut	螺母M14	Fig51
05787-0816A	Bolt	螺栓M8x16	Fig32	06171-3220A	Nut	螺母M24×2	Fig22
05787-0816A	Bolt	螺栓M8x16	Fig38	06173-1400A	Nut	螺母M14×1.5	Fig09
05787-0820A	Bolt	螺栓M8x20	Fig35	06177-0800A	Nut	螺母M8	Fig25

Part No零件编号	Description	零部件名称	Fig图号	Part No零件编号	Description	零部件名称	Fig图号
06177-0800A	Nut	螺母M8	Fig29	11406-30T11	Shim	发动机脚调整垫	Fig16
06177-0800A	Nut	螺母M8	Fig30	12120-15T11	Hose	胶管 φ 12×1200	Fig38-1
06178-0010A	Nut M10	螺母M10	Fig16	12120-30T11	Hose	胶管 φ 12x1200	Fig38
06240-30T11	House φ 6x240	胶管 φ 6x240	Fig21	13001-30T11	Stopper	管卡座	Fig18
06476-30T11	Clip	双钢丝卡箍 φ 64-76	Fig20	13002-30T11	U-bolt	管卡箍	Fig18
08250-30T11	House φ 8x250	胶管 φ 8x250	Fig21	15-2W330-58A00	MAST ASSY	门架总成	Fig40
08440-30T11	House φ 8x440	胶管 φ 8x440	Fig21	15-2W400-58A00	MAST ASSY	门架总成	Fig40
08931-4700A	Snap ring	挡圈47	Fig50	15-3F430-58S00	MAST ASSY	门架总成	Fig42
08931-4700A	Snap ring	挡圈47	Fig51	15-3F480-58S00	MAST ASSY	门架总成	Fig42
08941-3500B	Snap ring	挡圈35	FIG03	15-3F500-58S00	MAST ASSY	门架总成	Fig42
08941-4000A	Snap, ring	挡圈40	Fig06	15-3F550-58S00	MAST ASSY	门架总成	Fig42
08941-4000A	Snap ring	弹性挡圈40	Fig46	15-3F600-58S00	MAST ASSY	门架总成	Fig42
08941-4000A	Snap ring	挡圈40	Fig47	17301-30T11	Sedimentor	燃油滤清器	Fig21
08942-4000B	Clip	卡簧40	Fig42	17302-15T11	Packing/Gasket	燃油盖密封垫	Fig21
10001-30T11	Rubber, lower	水箱下减振垫	Fig17	17302-15T11	Cover gasket	液压油箱盖垫	Fig38-1
10002-30T11	Rubber	消音器减振垫	Fig18	17303-15T11	Cover gasket	液压油箱盖垫	Fig38
10004-15T11	House, inlet	空滤器进气管	Fig20	173A0-15T11	Fuel level sending unit	燃油传感器	Fig55
10006-15T11	House, upper	散热器进水管	Fig17	173A1-30T11	Battery	蓄电池	Fig55
10007-15T11	House, lower	散热器出水管	Fig17	173A2-30T11	Cable, head lamp	前大灯线束	Fig55
10007-30T11	Rubber wash	橡胶垫	Fig17	17400-15T11	Plate/Cover, tank	燃油箱盖总成	Fig21
10008-30T11	Outlet	出水口	Fig17	17500-15T11	Cover Plate ass'y	液压油箱盖总成	Fig38
10010-30T11	Reservior	副水箱	Fig17	17500-15T11	Cover Plate ass'y	液压油箱盖总成	Fig38-1
10011-30T11	Cap of radtator	水箱盖	Fig17	17502-30T11	Strainer	滤油器	Fig38
10100-15T11	YANMAR Engine	YANMAR柴油机	FIG01	17502-30T11	Strainer	滤油器	Fig38-1
10100-15T11	YANMAR Engine	YANMAR 4TNE92	Fig16	18100-15T11	Control ass' y	油门操纵总成	Fig34
11000-30T11	Rubber, upper	水箱上减振垫总成	Fig17	18200-15T11	Soft shaft	油门拉索总成	Fig34
11002-30T11	washer	隔套	Fig17	18-2W330-58A00	MAST ASSY	门架总成	Fig40
11003-30T11	Outlet pipe	出水管	Fig17	18-2W400-58A00	MAST ASSY	门架总成	Fig40
11200-15T01	Engine support, right	发动机脚	Fig16	18300-30T11	Pedal	油门踏板	Fig34
11401-30T11	Rubber mounts	发动机下减振垫	Fig16	18600-15T11	Transmission	液力变速箱总成	FIG01
11402-30T11	Rubber mounts	发动机上减振垫	Fig16	18600-15T11	Transmission case	液力变速箱	FIG02
11404-30T11	Washer	大垫圈	Fig16	18600-15T11-KIT	Seal kit	修理包	FIG03

11405-30T11	bushing	套管	Fig16	18601-15T11	Case, tor-con	变矩器壳体	FIG03
-------------	---------	----	-------	-------------	---------------	-------	-------

Part No零件编号	Description	零部件名称	Fig图号	Part No零件编号	Description	零部件名称	Fig图号
18602-30T11	Cup	加油口盖	FIG03	18641-30T11	Spring	弹簧	FIG04
18603-15T11	Plug	螺塞总成	FIG03	18642-30T11	Cup	安全阀盖	FIG04
18603-30T11	Plug	螺塞1/4"	FIG03	18643-30T11	Packing, copper	衬垫	FIG04
18604-30T11	Tor-con ass'y	变矩器总成	FIG03	18644-30T11	Plug	螺塞1/8"	FIG04
18605-30T11	Charging pump ass'y	供油泵总成	FIG03	18645-30T11	Plug	螺塞1/4"	FIG04
18605-30T11	Charging pump ass'y	供油泵总成	FIG05	18647-30T11	Valve, solenoid	电池阀	FIG04
18606-30T11	Gasket	垫片	FIG03	18648-30T11	Gasket	垫片	FIG04
18607-30T11	Strainer	滤油器 (1)	FIG03	18649-30T11	Gasket	垫片	FIG04
18609-30T11	Gasket	垫片	FIG03	18651-30T11	Shim	衬垫	FIG04
18610-15T11	Case, mission	壳体	FIG03	18652-30T11	Cover, tor-con	变矩器盖	FIG04
18611-15T11	Cap, bearing	轴承座	FIG03	18653-30T11	Case, pump	泵体	FIG05
18612-30T11	Bolt	螺栓	FIG03	18654-30T11	Bushing	衬套	FIG05
18613-15T11	Plate, lock	锁片	FIG03	18655-30T11	Washer	衬垫	FIG05
18615-30T11	Shaft, idler	惰轮轴	FIG03	18656-30T11	Seal, oil	油封	FIG05
18616-30T11	Gear, idler	惰轮	FIG03	18657-30T11	Snap O-ring	O形密封圈	FIG05
18617-30T11	Gear, output	输出齿轮	FIG03	18658-30T11	Support, starter	锭子	FIG05
18618-30T11	Plate, bearing support	支承片	FIG03	18659-30T11	Gear, drive	主动齿轮	FIG05
18619-30T11	Shim	垫片	FIG03	18660-30T11	Bushing	衬套	FIG05
18620-15T11	Shaft, output	输出轴	FIG03	18661-30T11	Gear, driven	被动齿轮	FIG05
18621-30T11	Retainer, oil seal	油封保持架	FIG03	18662-30T11	Shift, input	输入轴总成	Fig06
18622-30T11	Seal, oil	油封	FIG03	18663-30T11	Gear, reverse	倒车档齿轮	Fig06
18623-30T11	Nut	螺母	FIG03	18664-30T11	Gear, forward	前进档齿轮	Fig06
18624-30T11	Shim	垫	FIG03	18665-30T11	Plate, end	端板	Fig06
18625-30T11	Coller	轴环	FIG03	18666-30T11	Spring, return	回程弹簧	Fig06
18626-30T11	Pipe oil fill	加油管	FIG03	18667-30T11	Seat, spring	弹簧座	Fig06
18627-30T11	Gasket	衬垫	FIG03	18668-30T11	Ring, thrust	止推环A	Fig06
18628-30T11	washer	垫	FIG03	18669-30T11	Ring, thrust	止推环B	Fig06
18630-30T11	Cover, case	壳体盖	FIG04	18670-30T11	Piston	活塞	Fig06
18630-30T19-KIT	Seal kit	控制阀修理包	FIG04	18671-30T11	Plug	塞	Fig06
18633-30T11	Screw	螺钉M5×45	FIG04	18672-30T11	Ball, steel	钢球φ3	Fig06
18638-30T11	Nipple	管接头	FIG04	18673-30T11	Plate, friction	摩擦片	Fig06
18639-30T11	Filter, oil	滤油器	FIG04	18674-30T11	Plate, separator	隔片	Fig06
18640-30T11	Piston	活塞	FIG04	18675-30T11	Ring, seal	密封环A	Fig06

Part No零件编号	Description	零部件名称	Fig图号	Part No零件编号	Description	零部件名称	Fig图号
18676-30T11	Ring, seal	密封环B	Fig06	20800-15T11	Muffler	消音器总成	Fig18
18677-30T11	Snap, ring	卡环	Fig06	21002-15T11	Rim, outside	外轮辋	Fig10
18678-30T11	Bearing, needle	滚珠轴承	Fig06	21003-15T11	Rim, inside	内轮辋	Fig10
18679-30T11	Pin	销	FIG04	21004-15T11	Bolt	轮辋螺栓	Fig10
186C0-15T11	Clutch, hydraulic	离合器总成	FIG03	21005-15T11	Tire	轮胎6.50-10-10PR	Fig10
186C0-15T11	Clutch, hydraulic	离合器总成	Fig06	21005-15T11	Tire	轮胎6.5-10-10PR	Fig11
186C0-15T11-KIT	Papilionaceous plate	蝶形板	Fig06	21006-15T11	Solid tyre	实心胎6.50	Fig10
186D0-30T11	Control ass'y	控制阀总成	FIG04	21006-15T11	Solid tyre	实心胎6.50	Fig11
186E0-30T11	Inching valve ass'y	微动阀总成	FIG04	21007-15T11	Rim, inside ass'y	内轮辋总成	Fig11
18701-15T11-KIT	Seal kit	差速器总成修理包	Fig07	21008-15T11	Pipe	充气接管	Fig11
18702-15T11	Case, cross L. H	左差速器壳	Fig07	21009-15T11	Rim, outside ass'y	外轮辋总成	Fig11
18703-25T11	Cover, bearing	轴承盖	Fig07	21400-15T11	Radiator	散热器总成	Fig17
18704-15T11	Gear, side	半轴齿轮	Fig07	24001-30T11	Cabinet harness	仪表架线束	Fig55
18705-25T11	Spacer	衬套	Fig07	24002-15T11	Engine harness	发动机线束	Fig55
18706-15T11	Shim	垫片A	Fig07	24003-30T13	Rear light harness	后灯线束	Fig55
18708-15T11	Gear, pinon	行星齿轮	Fig07	24004-30T13	Switch, direction	方向组合开关	Fig25
18709-15T11	Case, cross R. H	右差速器壳	Fig07	24004-30T13	Switch, direction	方向组合开关	Fig55
18710-15T11	Gear, ring	齿圈	Fig07	24005-30T13	Switch, light	灯光组合开关	Fig25
18711-15T11	Bolt	螺栓	Fig07	24005-30T13	Switch, light	灯光组合开关	Fig55
18712-15T11	Washer, lock	锁片	Fig07	24009-30T13	Cable, caution light	警示灯线束	Fig55
18713-15T11	Washer, thrust	止推垫圈	Fig07	24011-30T13	Cable	电瓶线(-)	Fig55
18714-30T11	Shaft, pinon	齿轮轴II	Fig07	24800-30T11	Combination meter	仪表总成	Fig25
18715-30T11	Shim	垫片	Fig07	24800-30T11	Combination	仪表总成	Fig55
18716-25T11	Gear, spiral vevel	螺旋伞齿轮	Fig07	24800-30T11	Combination Meter	仪表总成	Fig60
18717-25T11	Shaft, final pinon ge	齿轴	Fig07	24801-30T11	Connect plate	过渡板	Fig60
19900-15T11	Air cleaner	空气滤清器	Fig20	24802-30T11	Down cover	仪表下面板	Fig60
19900-15T11	Air cleaner	空气滤清器	Fig20-1	24803-30T11	Cover	仪表后盖	Fig60
19901-15T11	Cover	空滤器壳	Fig20-1	24808-30T11	Meter body	仪表体	Fig60
19903-15T11	Filter, element	滤芯	Fig20-1	24809-30T11	Lens warning	仪表线灯	Fig60
20001-15T11	Packing	垫片	FIG02	248A0-30T11	Meter panel ass'y	仪表面板总成	Fig60
20600-15T11	Pipe ass' y	排气管总成	Fig18	2F330-5F000	Mast Ass'y	门架总成	Fig41
20601-25T11	gasket	排气管密封垫	Fig18	2F350-5F000	Mast Ass'y	门架总成	Fig41

|20700-15T11

|Muffler-high

|消音器总成(高位)

|Fig18

|34400-15T11

|Cabel ass'y

|微动操作拉索总成

|Fig31

Part No零件编号	Description	零部件名称	Fig图号	Part No零件编号	Description	零部件名称	Fig图号
35410-30T11	Clip	双钢丝卡箍 φ 35-41	Fig38	40215-15T11	Wheel brake ass'y(R. H)	制动器总成 (左)	Fig14
35410-30T11	Clip	双钢丝卡箍 φ 35-41	Fig38-1	40216-15T11	Bolt	螺栓	Fig09
40001-30T01	Bolt	转向器固定螺栓	Fig25	40217-15T11	Nut, hub	柱螺母	Fig09
40002-30T11	Spring	转向管柱拉簧	Fig25	40218-15T11	Bolt	螺栓柱	Fig09
40003-30T11	Spring	转向左手柄拉簧	Fig25	40219-15T11	Nut, hub	双胎球螺母	Fig09
40004-30T01	Pin	销轴 (操纵杆)	Fig35	40220-15T11	Fender	挡板 (左)	Fig09
40004-30T01	Pin	销轴 (操纵杆)	Fig36	40221-15T11	Fender	挡板 (右)	Fig09
40004-30T01	Pin	销轴 (操纵杆)	Fig37	40222-15T11	Joint bushing	联接套	Fig09
40005-30T11	Bushing	自润滑轴承0808	Fig31	40227-15T11	Spring	分泵弹簧	Fig14
40007-30T01	Cover	护套	Fig35	40228-15T11	Piston	分泵活塞	Fig14
40007-30T01	Cover	护套	Fig36	40229-15T11	Rod, piston	分泵活塞顶杆	Fig14
40007-30T01	Cover	护套	Fig37	4022L-15T11	Back platel ass'y	制动器底板总成	Fig14
40200-15T11	DRIVE AXLE	驱动桥	FIG01	4022R-15T11	Weel cylinder ass'y (Inc. 2-11)	制动器分泵总成	Fig14
40200-15T11	Housing, axle	桥壳	Fig09	40230-15T11	Cap, screw	分泵放气螺钉护罩	Fig14
40201-15T11	Plug, rubber	橡皮塞	Fig09	40231-15T11	Scerw	制动分泵放气螺钉	Fig14
40202-15T11	Plug	堵塞	Fig09	40232-15T11	Seat, tube	制动分泵油塞	Fig14
40203-15T11	Half, shaft	半轴	Fig09	40233-15T11	Brake shoe & friction plate ass'y (Inc. 11)	制动蹄及摩擦片总成	Fig14
40203-30T11	Oil seal	U型密封圈FB100×125×12D	Fig09	40234-15T11	Clearance adjuster	间隙调整器	Fig14
40204-15T11	Gaeket	垫	Fig09	40235-15T11	Pawl	棘爪	Fig14
40205-15T11	Bolt	螺栓	Fig09	40236-15T11	Return spring, brake	制动蹄回位弹簧	Fig14
40206-15T11	Hub, wheel	轮毂	Fig09	40237-15T11	Guide	导向块	Fig14
40207-15T11	Drum, braking	制动鼓	Fig09	40238-15T11	Wire unit, spring	弹簧拉线装置	Fig14
40208-15T11	Bolt	螺栓	Fig09	40239-15T11	Guide plate	导向板	Fig14
40208-30T11	Bearing & oil seal	轴承油封总成	Fig09	40240-15T11	Compression spring s	压簧座	Fig14
40209-15T11	Bolt	轮毂螺栓	Fig09	40241-15T11	Compression spring	压簧	Fig14
40210-15T11	Nut	螺母	Fig09	40242-15T11	Pull rod, compression	压簧拉杆	Fig14
40211-15T11	Bolt	螺栓	Fig09	40243-15T11	Push rod, hand beakin	手制动推杆	Fig14
40212-15T11	Snap ring	挡环	Fig09	40245-15T11	Washer, spring	弹性垫片	Fig14
40213-15T11	Snap ring	垫	Fig09	40246-15T11	Snap ring, pin axle	杆销挡圈	Fig14
40213-30T11	Plug	透气塞	Fig09	40247-15T11	Cable L. H	制动钢索总成 (左)	Fig14
40214-15T11	Brake ass'y (R. H)	制动器总成 (右)	Fig09	40248-15T11	Cable R. H	制动钢索总成 (右)	Fig14
40214-15T11	Wheel brake ass'y (L. H)	制动器总成 (右)	Fig14	40249-15T11	Cylinder	制动分泵缸	Fig14
40215-15T11	Brake ass'y (L. H)	制动器总成 (左)	Fig09	40250-15T11	Pin	销钉	Fig14

Part No零件编号	Description	零部件名称	Fig图号	Part No零件编号	Description	零部件名称	Fig图号
40251-15T11	Rod	手制动拉杆	Fig14	403A0-15T11	STEERING AXLE	转向桥	Fig01
40252-15T11	Pin	销钉	Fig14	40400-15T11-KIT	Seal kit		Fig09
40253-15T11	Return spring	回位弹簧	Fig14	40A00-15T11	Steering cylinder ass'y	转向油缸总成	Fig22
40266-15T11	Cup, piston	分泵皮碗	Fig14	40A00-15T11-KIT	Seal kit		Fig24
40267-15T11	Cover, dust	分泵护罩	Fig14	40A01-15T11	Steering cylinder	转向油缸总成	Fig24
40268-15T11	Cap, dust	螺纹防护罩	Fig14	40A02-15T11	Piston rod ass'y	活塞杆总成	Fig24
40269-15T11	Spring	弹簧	Fig14	40A03-15T11	Cap	缸盖	Fig24
40271-15T11	Cover	胶堵	Fig14	40A04-15T11	Seal, dust	防尘圈40	Fig24
40300-15T11	Axle ass'y	转向桥体总成	Fig22	40A05-15T11	Y-ring	Y型密封圈40×50×6	Fig24
40300-15T11-KIT	Seal kit	修理包	Fig22	40A06-15T11	Seal, slipper	支承环	Fig24
40301-15T11	Link	连杆(右)	Fig22	40A07-15T11	Body, steering cylinder	缸筒总成	Fig24
40302-15T11	Knuckle R.H. ass'y	右转向节总成	Fig22	40A08-15T11	Bearing	钢背轴承4030	Fig24
40303-15T11	Pin, king	转向节主销	Fig22	41000-30T01	Pin, lock	锁紧手柄销轴	Fig25
40304-15T11	Shim	调整垫	Fig22	43401-15T11	Rim, inside	内轮辋	Fig23
40305-15T11	Seal	骨架密封圈	Fig22	43402-15T11	Tire	轮胎5.00-8-10PR	Fig23
40306-15T11	Shim	转向节调整垫	Fig22	43403-15T11	Rim, outside	外轮辋	Fig23
40307-15T11	Link	连杆(左)	Fig22	43404-15T11	Bolt	轮毂螺栓	Fig23
40308-15T11	Cap	轮毂盖	Fig22	43405-15T11	Nut	轮毂螺母	Fig23
40309-15T11	Hub	转向轮毂	Fig22	43406-15T11	Bolt	轮辋螺栓	Fig23
40310-15T11	Pin	紧固销	Fig22	44300-30T11	Brake level ass'y	手制动总成	Fig27
40312-15T11	Fitting grease	直通式滑脂嘴	Fig22	44300-30T11	Brake level ass'y	手制动总成	Fig30
40313-15T11	Knuckle L.H. ass'y	左转向节总成	Fig22	44301-30T11	Bracket	手制动支架总成	Fig30
40314-15T11	O-ring	O形圈	Fig22	44302-30T11	Level	手柄支板总成	Fig30
40315-15T11	Seal, oil	油封	Fig22	44303-30T11	Rod	钢索拉板总成	Fig30
40316-15T11	Bushing	衬套	Fig22	44304-30T11	Link	钢索挂板	Fig30
40317-15T11	Fitting grease	弯颈式滑脂嘴	Fig22	44305-30T11	Pin	拉板销轴	Fig30
40317-15T11	Fitting grease	弯颈式滑脂嘴	Fig22	44306-30T11	Sleeve	限位轴套	Fig30
40319-15T11	Pin	锁紧销	Fig22	44307-30T11	Ring	螺栓卡	Fig30
40320-15T11	Bearing	关节轴承GE15ES	Fig22	44308-30T11	Stopper	限位橡胶块	Fig30
40321-15T11	Shim	调整垫	Fig22	44309-30T11	Sleeve	螺栓长套	Fig30
40326-15T11	Bushing	衬套	Fig22	44310-30T11	Lock plate	锁板	Fig30
40327-15T11	Shim	调整垫	Fig22	44311-30T11	Rod	推杆总成	Fig30

|40328-15T11

|Support

|轴承座

|Fig22

|44312-30T11

|Grip

|手柄

|Fig30

Part No零件编号	Description	零部件名称	Fig图号	Part No零件编号	Description	零部件名称	Fig图号
44313-30T11	Spring	弹簧	Fig30	48S00-15550	Lift cylinder	起升油缸	Fig42
44314-30T11	Washer	尼龙垫片	Fig30	48S00-15600	Lift cylinder	起升油缸	Fig42
44315-30T11	Shaft	销轴	Fig30	48S00-15T11	Lift cylinder	起升油缸	Fig42
46200-15T11	House, left	左制动油管	Fig32	49S00-15T11-KIT	Kit for free lift cyl.	自由起升油缸修理包	Fig47
46300-15T11	House, right	右制动油管	Fig32	49S01-15T11	Cap	导向套	Fig47
46501-30T01	Bushing	短轴套	Fig31	49S015-15T11	Bonnet	阀体	Fig47
46502-30T11	Bushing, nylon	自润滑轴承F1612	Fig31	49S016-15T11	washer	钢丝挡圈	Fig47
46503-30T11	Spring, inching	微动弹簧	Fig31	49S017-15T11	Spool	阀芯	Fig47
46504-30T11	Pedal gasket	脚踏板垫	Fig31	49S018-15T11	O-ring seal	O型密封圈d15.8*2.4	Fig47
46504-30T11	Pedal gasket	脚踏板垫	Fig31	49S02-15T11	Dust ring	防尘圈55x653x8/6.5	Fig47
46505-30T11	Ruber	油门踏皮	Fig34	49S03-15T11	seal	组合密封圈70X56X6.3	Fig47
465A0-30T01	Slight trivel pedal	微动踏板	Fig31	49S04-15T11	Snap ring	挡片55X65X3	Fig47
46601-30T01	Pin, clevis	长轴套	Fig31	49S05-15T11	Snap ring	挡圈	Fig47
46602-30T11	Spring	脚制动弹簧	Fig31	49S07-15T11	Wearing	支承环D75x20x2.5	Fig47
46603-30T11	absorber	缓冲垫	Fig31	49S08-15T11		密封圈55x65x6	Fig47
466A0-30T01	Brake pedal	制动踏板	Fig31	49S09-15T11	Bushing	钢背轴承5040	Fig47
48002-30T01	Bolt	锁紧手柄螺栓	Fig25	49S10-15T11	Spool	阀芯	Fig47
48003-30T01	Axle, knob	锁紧手柄轴1	Fig25	49S11-15T11	Spring	弹簧	Fig47
48004-30T11	Rubber shim	橡胶垫	Fig25	49S12-30T11	Shim	垫片	Fig47
48004-30T11	Rubber shim	橡胶垫	Fig60	49S13-15T11	Piston rod ass' y	柱塞杆总成	Fig47
48005-30T01	Bolt support	衬套	Fig60	49S14-15T11	Cylinder body (front)	缸体	Fig47
48005-30T11	Rubber gasket	橡胶垫衬套	Fig25	49S15-15T11	Seat, spring	弹簧座	Fig47
48006-30T01	Lever ,right	右手柄	Fig25	50001-15T11	Counter weight	平衡重	FIG01
48007-30T01	washer, lock	锁紧垫圈	Fig25	50001-15T11	Counter weight	平衡重	Fig27
48008-30T11	Shim	转向器固定滑垫	Fig25	50001-18T11	Counter weight	平衡重	FIG01
48009-30T11	Horn Button	喇叭按钮	Fig25	50001-18T11	Counter weight	平衡重	Fig27
48100-30T12	Orbitrol	转向器	Fig26	50002-15T12	Cover	水箱盖板	Fig27
48200-30T11	Steering wheel	方向盘	Fig25	50002-15T12G	Cover-high	水箱盖板(高位)	Fig27
48800-30T11	Column	转向管柱总成	Fig25	50003-30T01	Treadboard Left	右踏板垫	Fig28
48900-30T11	Lever, left	左手柄总成	Fig25	50004-30T01	Treadboard Right	左踏板垫	Fig28

48S00-15430	Lift cylinder	起升油缸	Fig42	50007-15T12	Cap	加油护罩	Fig28
48S00-15480	Lift cylinder	起升油缸	Fig42	50008-15T12	Cap	右腿护罩	Fig28
48S00-15500	Lift cylinder	起升油缸	Fig42	50009-30T11	Cap	加油盖	Fig21

Part No零件编号	Description	零部件名称	Fig图号	Part No零件编号	Description	零部件名称	Fig图号
50010-30T01	Washer	平衡重垫圈	Fig27	56S00-15T01	Mast, middle	中门架	Fig42
50010-30T11	Oiling cap ass'y	加油盖总成	Fig38	57000-15T01	braket L	左油缸护板总成	Fig28
50010-30T11	Oiling cap ass'y	加油盖总成	Fig38-1	57S00-15T01	Mast, outer	外门架	Fig42
50011-30T11	Cap	起吊孔盖	Fig27	57S11-30T01	Three way connector	三通	Fig42
50012-15T11	Gasket	地板垫	Fig28	57S11-30T01	Three way connector	三通	Fig45
50013-30T11	Rubber	加油管护圈	Fig21	58200-15T01	Support , cylinder	油缸固定卡总成	Fig49
50100-15T01	Frame	车架	Fig27	58300-15330	Lift cylinder	起升油缸总成	Fig40
50100-15T01	frame	车架焊接总成	Fig28	58300-15400	Lift cylinder	起升油缸总成	Fig40
50306-30T01	Plug	放油螺塞	Fig38	58300-15T11	Lift cylinder	起升油缸总成	Fig40
50306-30T01	Plug	放油螺塞	Fig38-1	58300-15T11	Lift cylinder (Inc. 01-17)	起升油缸总成(包含 01-17)	Fig46
50309-30T01	Plug	放油螺塞	Fig21	58300-15T11-KIT	seal kit	修理包	Fig46
50500-15T02	Combination meter support	仪表架总成	Fig27	58301-15T11	Seal	防尘圈	Fig46
50600-15T02	Pin	倾斜油缸销轴	Fig50	58302-15T11	Packing	密封圈	Fig46
50600-15T02	Pin	倾斜油缸销轴	Fig51	58303-15T11	Bushing	钢背轴承3630	Fig46
51600-30T11	Bolt	水箱盖固定螺栓	Fig27	58305-15T11	Cap	导向套	Fig46
51S00-15T11	Hydraulic pipe ass'y	中缸硬管总成	Fig45	58306-15T11	Sleeve	衬套	Fig46
52104-30T01	Clip, oil pipe	油泵进油管夹	Fig26	58307-15T11	Cylinder	缸筒体	Fig46
52104-30T01	Clip	油泵进油管夹	Fig38-1	58308-15T11	Rod	活塞杆	Fig46
52104-30T11	Clip	油泵进油管夹	Fig38	58309-15T11	Spacer	调整套	Fig46
52105-30T01	Clip	管卡	Fig26	58310-15T11	Piston	活塞	Fig46
52300-30T11	Locker	锁扣总成	Fig29	58311-15T11	Snap ring	钢丝挡圈	Fig46
52304-30T11	Spring, locker	锁扣拉簧	Fig29	58312-15T11	Wearing	支承环	Fig46
52400-30T01	Pin	牵引栓	Fig27	58313-15T11	Snap ring	挡片	Fig46
52S00-15T01	Chain ass' y	链条总成	Fig47	58314-15T11	U-ring	U型密封圈	Fig46
52S00-15T11	Hydraulic pipe ass'y	三通硬管总成	Fig45	58315-30T11	Sleeve	隔套	Fig46
53000-15T01	Plate	前地板总成	Fig28	58317-15T11	Nut	球面螺母	Fig46
53S00-15T11	Hydraulic pipe ass'y	提升缸硬管总成	Fig45	58317-15T11	Nut	球面螺母	Fig47
53S00-30T11-KIT	Kit for tilt cyl.	倾斜油缸修理包	Fig51	58500-15T11	Chain(Inc. 33-35)	链条总成(包含33-35)	Fig46
54S00-15T01	Carriage ass'y	滑架	Fig42	58501-15T01	Chain connector	链条接头	Fig47

54SA0-15T01	Carriage	货叉架	Fig54	58502-15T01	Pin	销轴	Fig47
55S00-15T01	Mast, inner	内门架	Fig42	58600-15T11	Tilt cylinder	倾斜油缸	Fig41
55S01-15T01	Cup, chain	内门架链条座	Fig42	58601-15T11	Body, piston ass'y	活塞体	Fig50
56000-15T01	braket R	右油缸护板总成	Fig28	58601-30T11	Grease	直通式滑脂嘴	Fig50

Part No零件编号	Description	零部件名称	Fig图号	Part No零件编号	Description	零部件名称	Fig图号
58601-30T11	Grease	直通式滑脂嘴	Fig51	58A03-15T11	Bushing	门架轴瓦	Fig41
58602-15T11	Guide Sleeve	导向套	Fig50	58A03-15T11	Bushing	门架轴瓦	Fig42
58602-15T11	Guide Sleeve	导向套	Fig51	58A03-30T11	Plate, guide	导板	Fig40
58603-15T11	Ear ring	耳环	Fig50	58A03-30T11	Plate, guide	导板	Fig41
58603-15T11	Ear ring	耳环	Fig51	58A03-30T11	Plate, guide	导板	Fig42
58604-15T11	spacer	支承环	Fig50	58A04-30T01	Shim, adjusting	导板调整垫	Fig40
58604-15T11	Bushing	支承环	Fig51	58A04-30T01	Shim, adjusting	导板调整垫	Fig41
58605-15T11	Shim	挡片	Fig50	58A04-30T01	Shim, adjusting	导板调整垫	Fig42
58605-15T11	Shim	挡片	Fig51	58A05-15T01	Support	油缸支承座	Fig49
58606-15T11	washer	防尘圈	Fig50	58A06-30T01	Spacer	油缸调整垫	Fig49
58606-15T11	washer	防尘圈	Fig51	58A08-15T02	Pin axle	倾斜油缸前轴	Fig40
58607-15T11	o-ring	O型密封圈	Fig50	58A08-15T02	Pin axle	倾斜油缸前轴	Fig41
58607-15T11	O-ring	O型密封圈	Fig51	58A08-15T02	Pin, tilt cylinder	倾斜油缸销轴	Fig42
58608-15T11	Bushing	轴套	Fig50	58A10-30T11	Through type connector	直通接头	Fig43
58608-15T11	Bushing	轴套	Fig51	58A10-30T11	Through type connector	直通接头	Fig44
58609-15T11	Yx-ring	Yx型密封圈	Fig50	58A10-30T11	Through type connector	直通接头	Fig45
58609-15T11	Yx-ring	Yx型密封圈	Fig51	58A11-15T11	O-ring	O型密封圈	Fig50
58610-15T11	Tube, cylinder ass'y	缸筒总成	Fig50	58A11-15T11	O-ring	O型密封圈	Fig51
58613-15T11	U-ring	孔用密封圈	Fig50	58A12-30T01	Shim	油缸调整垫片	Fig49
58613-15T11	U-ring	孔用密封圈	Fig51	58A13-30T01	Cushion	减震垫	Fig49
58615-15T11	Bushing	轴套	Fig50	58A14-15T01	Spacer	调整垫	Fig49
58615-15T11	Bushing	轴套	Fig51	58F00-15T01	MAST (2F)	门架 (2F)	FIG01
58618-15T11	Bushing	关节轴承GE30ES	Fig50	58F02-15330	Hose H. P.	油管总成	Fig44
58618-15T11	Bushing	关节轴承GE30ES	Fig51	58F02-15360	Hose H. P.	油管总成	Fig44
586A0-15T11	Tilt cylinder	倾斜油缸	Fig40	58F02-15T11	Hose H. P.	油管总成	Fig44
58A00-15T01	MAST (2W)	门架 (2W)	FIG01	58S00-15T01	MAST (3F)	门架 (3F)	FIG01
58A00-15T01	MAST ASSY	门架总成	Fig40	58S00-15T01	门架 (3F) 高度系列 Mast(3F) Series		Fig42
58A01-15T11	Fork&lock pin	货叉总成	Fig52	58S00-15T11	Tilt cylinder	倾斜油缸	Fig42
58A01-15T11	Fork&lock pin	货叉总成	Fig53	58S00-15T12	Tilt cylinder	倾斜油缸	Fig42
58A02-15T01	Cap, bearing	轴承盖	Fig40	58S01-15T11	Body, piston ass'y	活塞体	Fig51
58A02-15T01	Cap, bearing	轴承盖	Fig41	58S02-15T11	Tube, cylinder ass'y	缸筒总成	Fig51

58A02-15T01	Cap, bearing	轴承盖	Fig42	58S04-15T01	Sheave seat	链轮轴	Fig47
58A03-15T11	Bushing	门架轴瓦	Fig40	58S05-30T11	Connector	三通下直连接头	Fig45

Part No零件编号	Description	零部件名称	Fig图号	Part No零件编号	Description	零部件名称	Fig图号
58S14-30T11	Connector	直角接头	Fig44	59800-15T11	Sheave	链轮	Fig42
58S14-30T11	Connector	直角接头	Fig44	59800-15T11	Sheave	链轮	Fig46
58S14-30T11	Connector	直角接头总成	Fig45	59800-15T11	Sheave	链轮	Fig47
58S21-30T01	Stopper, chain	护链板	Fig47	59900-15T11	Flow regulator	限速阀	Fig43
58SA1-15T11	Hose, H. P ass'y	短高压胶管总成	Fig45	59900-15T11	Flow regulator	限速阀	Fig44
58SA2-15T11	Hose, H. P ass'y	高压胶管总成	Fig45	59900-15T11	Flow regulator	限速阀	Fig45
58SA3-15430	Hydraulic pipe ass'y	中缸高压胶管	Fig45	59A00-15T11	Roller	滚轮	Fig40
58SA3-15480	Hydraulic pipe ass'y	中缸高压胶管	Fig45	59A00-15T11	Roller	滚轮	Fig41
58SA3-15500	Hydraulic pipe ass'y	中缸高压胶管	Fig45	59A00-15T11	Roller	滚轮	Fig42
58SA3-15550	Hydraulic pipe ass'y	中缸高压胶管	Fig45	5F000-15T01	Mast Ass'y	门架总成	Fig41
58SA3-15600	Hydraulic pipe ass'y	中缸高压胶管	Fig45	5F100-15T01	Mast, outer	外门架	Fig41
58SA3-15T11	Hydraulic pipe ass'y	中缸高压胶管	Fig45	5F200-15T01	Mast, inner	内门架	Fig41
59100-15T01	Mast, outer	外门架	Fig40	5F300-15330	Lift cylinder, left	起升油缸(右)	Fig41
59117-15T11	Roller	滚轮	Fig40	5F300-15360	Lift cylinder, left	起升油缸(右)	Fig41
59117-15T11	Roller	滚轮	Fig41	5F300-15T11	Lift cylinder	起升油缸(右)	Fig41
59117-15T11	Roller	滚轮	Fig42	5F300-15T11-KIT	Kit for lift cyl.	起升油缸修理包	Fig48
59117-15T11	Roller	滚轮	Fig42	5F301-15T11	Cap, cylinder	缸盖	Fig48
59200-15T01	Mast, inner	内门架	Fig40	5F302-15T11	Snap ring	钢丝挡圈18	Fig48
59400-15T11	Fork&lock pin	货叉总成	Fig54	5F303-15T11	Yx-ring seal	Yx密封圈32x42x6	Fig48
59500-15T01	Carriage ass'y	滑架	Fig40	5F304-15T11	Snap ring	挡圈32x42x3	Fig48
59500-15T01	Carriage ass'y	滑架	Fig41	5F305-15T11	Dust ring	LNB防尘圈 32x40x5/6.5	Fig48
59501-15T11	Side roller	侧滚轮	Fig40	5F306-15T11	Bushing	钢背轴承3230	Fig48
59501-15T11	Side roller	侧滚轮	Fig41	5F307-15T11	Spool	阀芯	Fig48
59501-30T11	Side roller	侧滚轮	Fig42	5F308-15T11	Spring	弹簧	Fig48
59505A-15T11	Roller	滚轮	Fig53	5F309-15T11	Plug	螺塞Z1/8"	Fig48
59505A-15T11	Roller	滚轮	Fig54	5F311-15T11	Wearing	支承环50x45x15	Fig48
59505A-15T12	Roller	滚轮	Fig52	5F312-15T11	Cylinder body (L)	缸体(左)	Fig48

59600-15T01	Carriage	货叉架	Fig52	5F313-15T11	Piston rod ass' y - R	右柱塞杆总成	Fig48
59600-30T11	Three way connector	三通接头	Fig43	5F314-15T11	Cylinder body (R)	缸体 (右)	Fig48
59600-30T11	Three way connector	三通接头	Fig45	5F400-15330	Lift cylinder, left	起升油缸 (左)	Fig41
59700-15T01	Backrest	挡货架	Fig52	5F400-15360	Lift cylinder, left	起升油缸 (左)	Fig41
59700-15T01	Backrest	挡货架	Fig53	5F400-15T11	Lift cylinder, left	起升油缸 (左)	Fig41
59700-15T01	Backrest	挡货架	Fig54	5F401-15T11	Joint rod	连接杆	Fig48

Part No零件编号	Description	零部件名称	Fig图号	Part No零件编号	Description	零部件名称	Fig图号
5F402-15T11	Piston rod ass' y (L)	左柱塞杆总成	Fig48	68609-15T11	Valv, check	切断阀	Fig33
5F5A0-15T01	Carriage	货叉架	Fig53	68610-15T11	Seat, valve	阀座	Fig33
5F700-15360	free lift cyl.	前起升缸	Fig41	68611-15T11	Boots	保护罩	Fig33
5F700-15430	free lift cyl.	前起升缸	Fig41	68613-30T11	Clevis	支耳	Fig33
5F700-15430	Free lift cylinder	自由起升油缸	Fig42	68614-30T11	Nut	螺母M8	Fig33
5F700-15480		前起升缸	Fig41	68615-30T11	Bushing, rubber	胶皮衬套	Fig33
5F700-15480	Free lift cylinder	自由起升油缸	Fig42	68616-30T11	Union	接头	Fig33
5F700-15500	Free lift cylinder	自由起升油缸	Fig42	68702-30T11	Rod, push	推杆	Fig33
5F700-15550	Free lift cylinder	自由起升油缸	Fig42	68800-30T11	Tank, reserve	制动油杯	Fig32
5F700-15600	Free lift cylinder	自由起升油缸	Fig42	68900-30T01	Support	油杯固定板	Fig32
5F700-15T11	Free lift cylinder	自由起升油缸	Fig42	68902-30T01	Support ring	油杯固定环	Fig32
65200-15T11	Hinge	铰链总成	Fig29	68903-30T01	Hose	油管	Fig32
65300-30T11	Shock, absorber L	气弹簧总成(左)	Fig29	69003-30T11	Hose	分配器上回油管	Fig38
653A0-30T11	Shock, absorber R	气弹簧总成(右)	Fig29	69003-30T11	Hose	分配器上回油管	Fig38-1
65400-30T11	Plate, lock	锁扣固定板	Fig29	69004-30T11	Hose	分配器下回油管	Fig38
65500-15T11	Bonnet	发动机罩组件	Fig29	69004-30T11	Hose	分配器下回油管	Fig38-1
65501-30T11	braket	嵌条压板	Fig29	69004-30T11	Hose	分配器下回油管	Fig38-1
65502-30T01	braket	嵌条压板	Fig29	69005-15T11	Hose H. P.	齿轮泵进油管	Fig38
65504-30T11	Cover	装饰条	Fig29	69008-30T01	Three way connector	三通接头	Fig43
65700-30T11	Cable of open engine cover	引擎盖开启拉索总成	Fig29	69013-30T11	oil measuer	液压油尺	Fig38
68300-30T11	Connector	转向器出油接头	Fig26	69013-30T11	oil measuer	液压油尺	Fig38-1
68400-30T11	Connector	转向器回油接头	Fig26	690A1-30T11	Clip	双钢丝卡箍 φ13-19	Fig39
68500-30T11	Connector	转向器进油接头	Fig26	690A2-15T11	Hose, cooling	油冷却胶管	Fig39
68600-15T11	Master cylinder	制动总泵	Fig32	690A3-15T11	Hose, cooling	油冷却胶管	Fig39
68600-15T11	Master cylinder	制动总泵	Fig33	690A4-30T11	Band	捆扎带ZD200x8	Fig39
68601-15T11	Body	阀体	Fig33	690A5-30T11	Connector	直通接头	Fig39
68602-15T11	Ring, stopper	止动环	Fig33	690A6-30T11	Seal	组合密封垫圈14	Fig39
68603-15T11	Piston	活塞	Fig33	690B1-15T01	Tube vinyl	塑料回油管	Fig43

68604-15T11	Cup, secondary	前皮碗	Fig33	690B2-30T01	Clip	夹箍10-16	Fig43
68605-15T11	Spacer, cup	衬套皮碗	Fig33	690B3-30T01	Band	回油管管夹片	Fig43
68606-15T11	Cup, primary	主皮碗	Fig33	690B4-30T01	Three way connector	三通接头	Fig44
68607-5T11	Sear, spring	弹簧座	Fig33	690B5-30T01	Tube vinyl	塑料回油管	Fig43
68608-15T11	Spring	弹簧	Fig33	690B6-30T01	Band	回油管管夹片	Fig43

Part No零件编号	Description	零部件名称	Fig图号	Part No零件编号	Description	零部件名称	Fig图号
690B7-30T01	Tube vinyl	塑料回油管	Fig43	694D0-30T11	Knob, tilting	倾斜手柄球	Fig37
690B8-15T01	Hose H. P.	高压胶管	Fig43	694E0-30T01	Joint	连接杆总成	Fig35
690B8-30T01	Hose H. P.	高压胶管	Fig44	694E0-30T01	Joint	连接杆总成	Fig36
690B9-30T11	Washer	组合垫圈22	Fig43	694E0-30T01	Joint	连接杆总成	Fig37
690B9-30T11	Washer	组合垫圈22	Fig44	694F0-30T01	Lever, third	侧移/第三片阀操纵杆总成	Fig36
690B9-30T11	Washer	组合垫圈22	Fig45	694F0-30T01	Lever, third	侧移/第三片阀操纵杆总成	Fig37
691A0-30T11	Connector	转向油缸接头	Fig26	694G0-30T01	Lever, fourth	旋转操纵杆总成/第四片阀杆	Fig37
69200-30T11	Connector	油泵进油接头体	Fig38	694G0-30T11	Knob, sideshift	侧移手柄球	Fig36
69300-30T11	Connector	油泵出油接头	Fig38	694G0-30T11	Knob, sideshift	侧移手柄球	Fig37
69401-30T01	Bracket L. H.	左固定支架	Fig35	69500-30T11	Multi-way valve (two-throw)	多路换向阀 (二联)	Fig35
69401-30T01	Bracket L. H	左固定支架	Fig36	695A0-30T11	Multi-way valve (third throw)	多路换向阀 (三联)	Fig36
69401-30T01	Bracket L. H.	左固定支架	Fig37	695B0-30T11	Multi-way valve (fourth throw)	多路换向阀 (四联)	Fig37
69402-30T01	Bracket R. H	右固定支架	Fig35	69700-30T01	Braket	固定板	Fig35
69402-30T01	Bracker R. H.	右固定支架	Fig36	69700A-30T01	Braket	固定板	Fig36
69402-30T01	Bracket R. H.	右固定支架	Fig37	69700B-30T01	Braket	固定板	Fig37
69403-30T01	shaft, control	操纵手柄连接杆	Fig35	69800-30T11	Steel pipe ass'y	倾斜缸钢管总成	Fig38
69403-30T01	Shaft, control	操纵手柄连接杆	Fig36	69800-30T11	Steel pipe ass'y	倾斜缸钢管总成	Fig38-1
69403-30T01B	Shaft, valve	操纵手柄连接杆	Fig37	69804-30T11	Rubber	橡胶垫	Fig38
69404-30T01	Bushing, nylon	尼龙石墨套 φ12	Fig35	69804-30T11	Rubber	橡胶垫	Fig38-1
69404-30T01	Bushing, nylon	尼龙石墨套 φ12	Fig36	69805-30T11	Bushing	钢管套	Fig38
69404-30T01	bushing, nylon	尼龙石墨套 φ12	Fig37	69805-30T11	Bushing	钢管套	Fig38-1
694A0-30T01	Lever, lift	提升操纵杆总成	Fig35	69806-30T11	Clip	卡扣	Fig38
694A0-30T01	Lever, lift	提升操纵杆总成	Fig36	69806-30T11	Clip	卡扣	Fig38-1
694A0-30T01	Lever, lift	提升操纵杆总成	Fig37	69900-15T11	Steel pipe ass'y	分配器回油钢管总成	Fig38
694B0-30T01	Lever, tilt	倾斜操纵杆总成	Fig35	69900-15T11	Steel pipe ass'y	分配器回油钢管总成	Fig38-1
694B0-30T01	Lever, tilt	倾斜操纵杆总成	Fig36	69B00-15T11	Hose H. P.	分配器高压胶管	Fig38
694B0-30T01	Lever, tilt	倾斜操纵杆总成	Fig37	69D00-15T01	Hose H P	高压胶管	Fig43
694C0-30T11	Knob, lifting	起升手柄球	Fig35	69D00-15T01	Hose H P	高压胶管	Fig44
694C0-30T11	Knob, lifting	起升手柄球	Fig36	69E00-15T11	Hose H. P.	转向器高压胶管	Fig26
694C0-30T11	Knob, lifting	起升手柄球	Fig37	69E00-15T11	Hose H. P.	转向器高压胶管	Fig38

694C3-30T11	Knob, fourth valve	空白手柄球	Fig37	69E00-15T11	Hose H. P.	转向器高压胶管	Fig38-1
694D0-30T11	Knob, tilting	倾斜手柄球	Fig35	69F00-15T11	Hose H. P., left	转向缸高压胶管(左)	Fig26
694D0-30T11	Knob, tilting	倾斜手柄球	Fig36	69G00-15T11	Hose H. P., right	转向缸高压胶管(右)	Fig26

Part No零件编号	Description	零部件名称	Fig图号	Part No零件编号	Description	零部件名称	Fig图号
69H00-15T11	Hose H. P.	倾斜缸高压胶管 (长)	Fig38	99102-18T11	Decal, capacity	载荷曲线	Fig61
69H00-15T11	Hose H. P.	倾斜缸高压胶管 (短)	Fig38-1	99103-30T11	Label, lift	起吊标牌	Fig61
69J00-15T11	Hose H. P.	倾斜缸高压胶管 (短)	Fig38	99104-30T11	Decal, warning	警告标记	Fig61
69J00-15T11	Hose H. P.	倾斜缸高压胶管 (长)	Fig38-1	99105-30T11	Decal, air pressur	气压标牌	Fig61
73707-15T11	Rearview mirror	小号反光镜	Fig55	99106-30T11	Decal, hydraulic oil	制动液标记	Fig61
73708-15T11	Cover	吸风罩	Fig20	99107-30T11	Decal, caution	检查要领	Fig61
73710-30T11	Combination lamp	三色后组合灯	Fig55	99108-30T11	Decal, lubrication	润滑图	Fig61
73712-30T11	Caution light	频闪警示灯	Fig55	99109-30T11	Decal, add water	水箱警示牌	Fig61
73713-30T11	Head lamp ass' y	前照灯	Fig55	99110-30T11	Decal, fuel	燃油标记	Fig61
73714-30T11	Head lamp	前小灯	Fig55	99111-30T11	safty notice	安全标记(风扇夹手)	Fig61
73715-30T11	Control box	中央控制盒	Fig55	99112-30T11	Decal, strictly prohibit water	严禁冲水标牌	Fig61
73719-30T11	Oil temp sending unit	油温感应塞RC1/2	Fig55	99113-30T11	Decal, prohibit climbing	禁爬标记	Fig61
73720-30T11	Switch, brake	制动开关	Fig31	99115-30T11	hydraulic oil st.	液压油标记	Fig61
73721-30T11	Horn	喇叭	Fig55	99116-15T11	Decal, capacity	载荷曲线	Fig61
73722-30T11	Buzzer	蜂鸣器	Fig55	99116-18T11	Decal, capacity	载荷曲线	Fig61
73723-30T11	Switch, caution light	警示灯开关	Fig55	99117-30T11	safty notice	安全标记(门架夹手)	Fig61
73724-30T11	Switch	点火开关	Fig55	99118-30T11	hand brake mark	手制动	Fig61
73725-30T11	Brake switch	脚制动开关	Fig55	99119-30T11	seat belt safty	安全标记(安全带)	Fig61
73726-30T11	Head lamp body	前照灯座	Fig57	99120-30T11	cap safty	安全标记(安全帽)	Fig61
73727-30T11	Bulb	前照灯泡	Fig57	99121-30T11	CE mark	CE标记	
73728-30T11	Rear lamp lens	三色后组合灯罩	Fig58	99122-30T11	Name plate	铭牌	Fig61
73729-30T11	Rear lamp bulbs	三色后组合灯泡	Fig58	99123-30T11	Decal, fan safty	风扇标牌	Fig61
73730-30T11	Rear lamp bulbs	三色后组合灯泡	Fig58	EP/40300025	Seat	座椅(SCI不带安全带 及扶手)	Fig28
73731-30T11	Rear lamp body	三色后组合灯座	Fig58	EP/40300052	Arm	扶手(可调扶手)	Fig28
73732-30T11	Reay lamp bulbs	三色后组合灯泡	Fig58	EP/40300058	seat belt	安全带(可自动弹回)	Fig28
73733-30T11	Front lamp lens	前小灯罩	Fig59	M10005-15T11	House, outlet	空滤器出气管	Fig20
73734-30T11	Bulb	灯泡	Fig59	M10006-15T11	House, upper	散热器出水管	Fig17
73735-30T11	Front lamp body	前小灯座	Fig59	M10007-15T11	House, lower	散热器进水管	Fig17

73736-30T11	Head lamp lens	前照灯罩	Fig57	M10100-15T11	MAZDA Engine	MAZDA汽油机	FIG01
73737-15T11	start coil	点火线圈	Fig55	M10100-15T11	F2 engine	Mazda汽油机F2.0	Fig16
82100-15T11	Hose	回油管 φ 8x2100	Fig26	M11201-25T01	Engine support, right	发动机脚 (右)	Fig16
99101-15T11	Decal, modle	型号标牌	Fig61	M11202-25T01	Engine support, left	发动机脚 (左)	Fig16
99102-15T11	Decal, capacity	载荷曲线	Fig61	M11500-15T11	Connector	齿轮泵出油接头总成	Fig38-1

Part No零件编号	Description	零部件名称	Fig图号
M11600-15T11	Connector	齿轮泵进油接头总成	Fig38-1
M11700-15T11	shaft	传动轴	Fig38-1
M11701-25T11	flange	连接凸缘	Fig38-2
M11702-15T11	flange	连接凸缘 (前)	Fig38-2
M11703-25T11	shaft	十字轴	Fig38-2
M11705-15T11	drive plaxt	齿轮泵连接盘	Fig38-2
M11706-15T11	flange	连接凸缘(后)	Fig38-2
M18200-15T11	Soft shaft	油门拉索总成	Fig34
M18600-15T11	Transmission case	液力变速箱	FIG02
M18601-15T11	Case, tor-con	变矩器壳体	FIG03
M18629-25T11	Plate	弹性板	FIG03
M20001-15T11	Packing	垫片	FIG02
M20600-15T11	Pipe ass' y	排气管总成	Fig18
M20601-25T11	gasket	排气管密封垫	Fig18
M21400-15T11	Radiator	散热器总成	Fig17
M24002-15T11	Engine harness	发动机线束	Fig55
M50100-15T01	Frame	车架	Fig27
M50100-15T01	frame	车架焊接总成	Fig28
M69005-15T12	Hose H. P.	齿轮泵进油管	Fig38-1
M69006-15T11	hose	齿轮泵出油胶管	Fig38-1
M690A2-15T11	Hose, cooling	油冷却胶管	Fig39
M690A3-15T11	Hose, cooling	油冷却胶管	Fig39
M69100-30T11	Hydraulic pump	齿轮泵	Fig38-1
M699A0-15T11	pipe	齿轮泵吸油钢管总成	Fig38-1
M73716-25T11	Water temp sending unit	水温感应器	Fig55
Y10005-25T11	House, outlet	空滤器出气管	Fig20
Y16500-25T11	air duct	空滤器导管总成	Fig16
Y18629-25T11	Plate	弹性板	FIG03
Y24010-25T13	Gable	电瓶线 (+)	Fig55
Y69100-25T11	Hydraulic pump	齿轮泵	Fig38
Y73716-25T11	Water temp sending unit	水温感应器	Fig55

EP中力

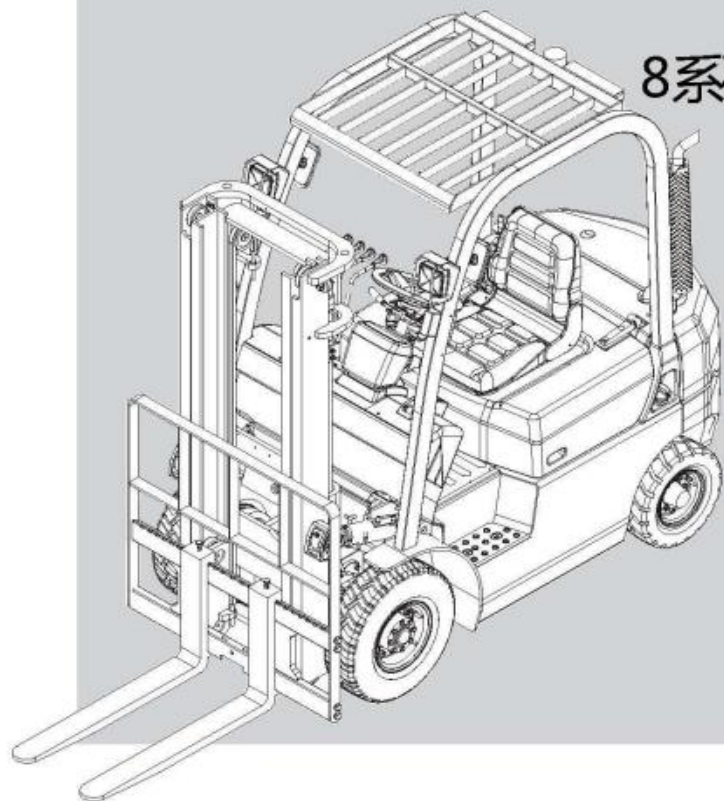
T8 Series CPC(Q)D15/18

Engine Powered Fork Lift Truck

Parts Manual

8系列1.5/1.8t柴油机(汽油机)内燃叉车

零件目录



CE

CE CERTIFICATE

1、前言	
2、整车部件系统 GENERAL	5
3、传动装置（液力式）TRANSMISSION ASS'Y	6
4、盖和微动阀、电液控制 INCHING & ELECTRIC-HYDRAULIC VALVE	9
5、供油泵 CHARGING PUMP	10
6、液力离合器 HYDRAULIC CLUTCH	11
7、差速器总成 DIFFERENTIAL	12
8、驱动桥 DRIVE AXLE	13
9、驱动轮（单胎） DRIVE WHEEL（SINGLE TYRE）	15
10、驱动轮（双胎） DRIVE WHEEL（DOUBLE TYRE）	16
11、制动器总成 WHEEL BRAKE	17
12、制动器总成（FD20 25T） WHEEL BRAKE（FD20 25T）	18
13、发动机 ENGINE	19
14、冷却系统 COOLING SYSTEM	20
15、排气系统 EXHAUST SYSTEM	21
16、空滤器安装 AIR CLEANER ASS'Y MOUNT	22
17、空滤器总成 AIR CLEANER ASS'Y	23
18、燃油系统 FUEL SYSTEM	24
19、转向桥 STEERING SYSEM	25
20、转向轮 STEERING WHEEL	27
21、转向油缸 STEERING CYLINDER	28
22、转向系统 STEERING SYSEM	29
23、转向管路 STEERING PIPING	30
24、车架和平衡重 Parking brake unit	31
25、地板附件、座椅 FLOOR、SEAT	32
26、内燃机罩安装 BONNET MOUNT	33
27、停车制动 BRAKE LEVEL	34
28、行车制动与微动操纵 BRAKE —INCHING CONTROL	35
29、制动总泵安装 MASTER CYLINDER MOUNT	37
30、制动总泵 MASTER CYLINDER	38
31、油门踏板 ACCELERATOR PEDAL	39
32、操纵杆总成（二联） VALVE CONTROL LINKAGE（TWO-THROW）	40
33、操纵杆总成（三联） VALVE CONTROL LINKAGE（THREE-THROW）	41
34、操纵杆总成（四联） VALVE CONTROL LINKAGE（FOUR-THROW）	42
35、液压系统(4TNE92) HYDRAULIC SYSTEM(4TNE92)	43
36、液压系统 HYDRAULIC SYSTEM	44
37、液压系统(Mazda F2.0) HYDRAULIC SYSTEM(Mazda F2.0)	45
38、万向传动轴(Mazda F2.0) Shaft - Hydraulic pump(Mazda F2.0)	47
39、变矩器油冷却系统 TOR-CON OIL COOLING SYSTEM	48
40、门架（2W） MAST（2W）	49
41、门架（2F） MAST（2F）	51
42、门架（3F） MAST（3F）	53
43、门架管路系统(2W) HYDRAULIC SYSTEM MAST(2W)	56

44、门架管路系统(2F) HYDRAULIC SYSTEM MAST(2F)	57
45、门架管路系统(3F) HYDRAULIC SYSTEM MAST(3F).....	58
46、起升油缸(2W) LIFT CYLINDER(2W)	59
47、自由起升油缸(2F/3F) FREE LIFT CYLINDER(2F/3F).....	61
48、起升油缸(2F) LIFT CYLINDER(2F)	63
49、起升油缸安装 LIFT CYLINDER MOUNT.....	64
50、倾斜油缸(2W/2F) TILT CYLINDER(2W/2F)	65
51、倾斜油缸(3F) TILT CYLINDER(3F)	66
52、滑架(2W) LIFT CARRIAGE(2W)	67
53、滑架(2F) LIFT CARRIAGE(2F)	68
54、滑架(3F) LIFT CARRIAGE(3F)	69
55、电气系统 ELECTRIC SYSTEM.....	70
56、前照灯 HEAD LAMP ASS'Y	74
57、三色后组合灯 REAR COMBINATION LAMP	75
58、前小灯 FRONT LAMP	76
59、仪表总成 COMBINATION METER.....	77
60、标牌 Label.....	78

前言

- 1、本“零件目录”汇集了1.5t—1.8t T8 系列各种叉车的零部件；

This catalogue collects all the parts (components) in series of 1.5-1.8 ton T8 forklift trucks;

- 2、订购零件时，须写明所用叉车的型号、出厂编号、门架高度、所需零部件物料码、名称及订购数量；

When you order the parts (components), the truck's Model, factory number ,mast height, code Number of drawing, name and quantity should be given when ordering the parts or the components;

- 3、维修更换零部件时，为确保质量，请使用本公司零部件；

It is recommended to use the parts and components made by us for ideal the service and maintenance;

- 4、为提高质量，本厂将对某些零部件进行改进,对改进部分在本目录中不能同时一一修改,请用户谅解，欲了解详细情况可与本公司销售部门及配件部门联系

We reserve the right of the change of the truck in construction for improving our products without notice. For the details of changes, please consult with sales department of Hangzhou Forklift Truck Co., Ltd.

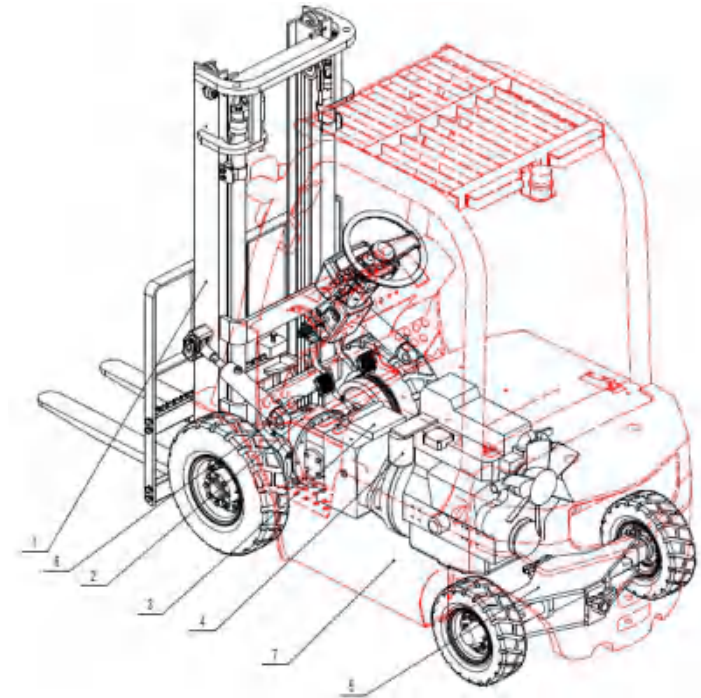
序号	零件编号	零部件名称	数量	备注	供方零件号	备注2
Item No	Part No	Description	QTY	Remark	Supplier Part No	Remark2
1	58A00-15T01	MAST (2W)	1	门架 (2W)		
	58F00-15T01	MAST (2F)	1	门架 (2F)		
	58S00-15T01	MAST (3F)	1	门架 (3F)		
2	40200-15T11	DRIVE AXLE	1	驱动桥		
3	18600-15T11	Transmission case	1	液力变速箱	CPCD15-18T8	4TNE92
	M18600-15T11	Transmission case	1	液力变速箱	CPQD15-18T8	YQXD30C2 F2.0
4	10100-15T11	YANMAR Engine	1	YANMAR柴油机	CPCD15-18T8	4TNE92
	M10100-15T11	MAZDA Engine	1	MAZDA汽油机	CPQD15-18T8	F2.0
5	403A0-15T11	STEERING AXLE	1	转向桥		
6	46500-15T11	Brake & Inching	1	制动与微动操纵		
7	50001-15T11	Frame and Counter weight	1	车架和平衡重	CPC(Q)15T8	
	50001-18T11	Frame and Counter weight	1	车架和平衡重	CPC(Q)D18T8	

整车部件系统

GENERAL

图01

Fig 01



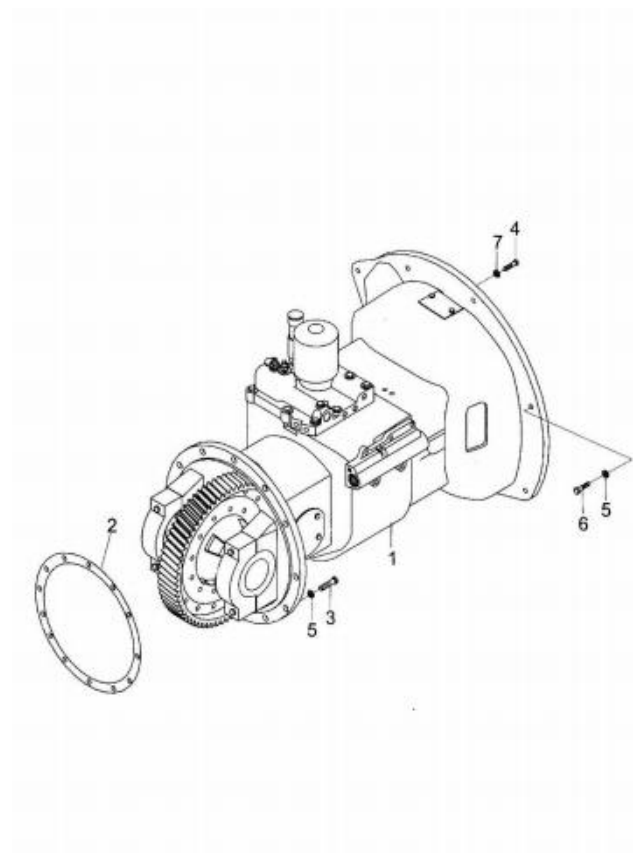
序号	图号	零部件名称	数量	备注	供方零件号	备注2
Item No	Part No	Description	QTY	Remark	Supplier Part No	Remark2
1	18600-15T11	Transmission case 液力变速箱	1	CPCD15-18T8		4TNE92
	M18600-15T11	Transmission case 液力变速箱	1	CPQD15-18T8	YQXD30C2	F2.0
2	20001-15T11	Packing 垫片	1			4TNE92
	M20001-15T11	Packing 垫片	1			F2.0
3	05785-10350	Bolt 螺栓M10×1.25×35	10			
4	05782-08250	Bolt 螺栓M8×25	6			
5	00093-1001A	Washer,lock 垫圈10	19			
6	05785-10500	Bolt 螺栓M10×35	9			
7	00093-0801A	Washer,lock 垫圈8	6			

传动装置（液力式）

TRANSMISSION ASS'Y

图02

Fig 02



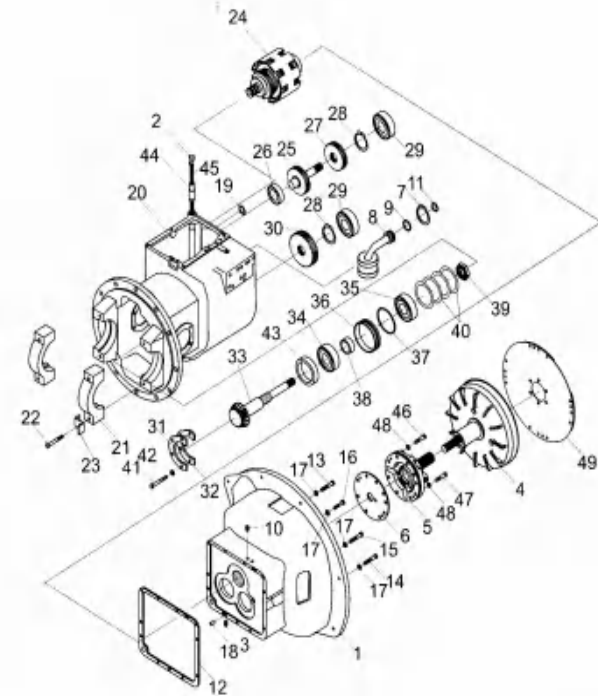
序号	图号	零部件名称	数量	备注	供方零件号	备注2
Item No	Part No	Description	QTY	Remark	Supplier Part No	Remark2
1	18601-15T11	Case,tor-con	1	4TNE92	YQX30H-0210	
	M18601-15T11	Case,tor-con	1	F2	YQX30M-0210	
2	18602-30T11	Cup	1		YQX30-0210	
3	18603-15T11	Plug	1		YQX30-0400	
4	18604-30T11	Tor-con ass'y	1		JB/ZQ4446-86 R1/4	
5	18605-30T11	Charging pump ass'y	1			
6	18606-30T11	Gasket	1	☆		18600-15T11-KIT
7	08941-3500B	Snap ring	1		YQX30-3000	
8	18607-30T11	Strainer	1		YQX30-0010	
9	01235-35310	O-ring	1	☆	GB894.1-86-35	
10	18603-30T11	Plug	1		YQX30-0500	
11	01235-28350	O-ring	1	☆	GB1235-76 35x3.1	
12	18609-30T11	Gasket	1	☆	JB/ZQ4446-86 R1/2	
13	05782-1075A	Bolt	1		GB1235-76 28x3.5	
14	05782-1055A	Bolt	1		YQX30-0009	
15	05782-1050A	Bolt	1		GB5783-86 M10x30 8.8	
16	05782-1030A	Bolt	3		GB5783-86 M10x50 8.8	
17	00093-1000A	Washer,lock	6		GB5783-86 M10x55 8.8	
18	00119-1220B	Pin	4		GB5783-86 M10x75 8.8	
19	01235-15240	O-ring	1	☆	GB93-87-10	
20	18610-15T11	Case,mission	1		GB119-86- B12x20	
21	18611-15T11	Cap,bearing	2		GB1235-76 15x2.4	
22	18612-30T11	Bolt	4		YQX30-0103	
23	18613-15T11	Plate,lock	4			
24	186C0-15T11	Clutch,hydraulic	1			
25	18615-30T11	Shaft,idler	1			
26	00276-62060	Bearing	1			
27	18616-30T11	Gear,idler	1			
28	00893-2400A	Snap ring	1			
29	00276-62070	Bearing	1			

传动装置（液力式）

TRANSMISSION

图03

Fig 03



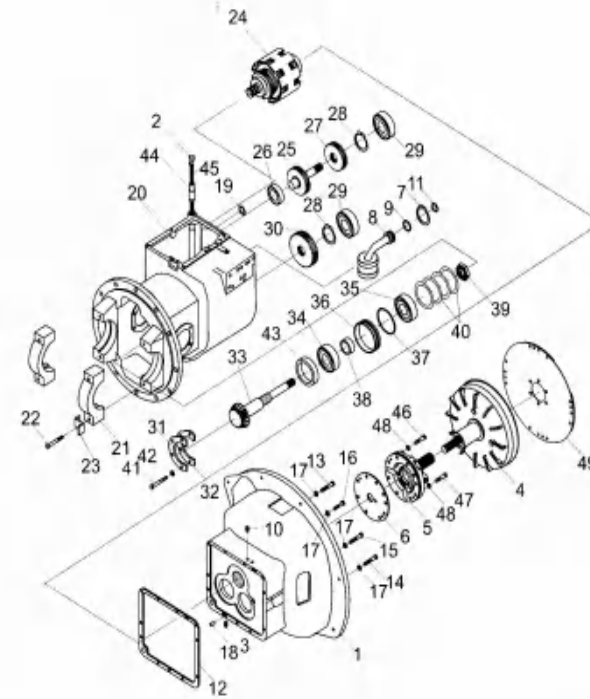
序号	图号	零部件名称	数量	备注	供方零件号	备注2
Item No	Part No	Description	QTY	Remark	Supplier Part No	Remark2
30	18617-30T11	Gear,output 输出齿轮	1		YQX30-0102	
31	18618-30T11	Plate,bearing support 支承片	1		YQX30-0101	
32	18619-30T11	Shim 垫片	2		YQX30-0023	
33	18620-15T11	Shaft,output 输出轴	1		YQX30-1000	
34	00294-32208	Bearing 轴承32208	按需		YQX30-0015	
35	00294-30208	Bearing 轴承32208	1		6206	
36	18621-30T11	Retainer,oil seal 油封保持架	1		YQX30-0013	
37	01235-80310	O-ring O形圈80×3.1	1	☆	GB893.1-86-24	
38	18622-30T11	Seal,oil 油封	1	☆	YQX30-0004	
39	18623-30T11	Nut 螺母	1		YQX30-0002	
40	18624-30T11	Shim 垫	AR		YQX30-0011	
41	05782-0820A	Bolt 螺栓M8×20	4		32208	
42	00093-0801A	Washer 垫圈8	4		GB93-87-8	
43	18625-30T11	Collar 轴环	1	☆	YQX30-0003	
44	18626-30T11	Pipe oil fill 加油管	1		YQX30-0007	
45	Y18629-25T11	Plate 弹性板	1	4NTE92		18604-30T11
	M18629-25T11	Plate 弹性板	1	F2		18604-30T11
46	05782-0845A	Bolt 螺栓M8×45	4		GB5783-86 M8x45	
47	05782-0840A	Bolt 螺栓M8×40	2		GB5783-86 M8x40	
48	18628-30T11	Gasket 衬垫	6		8JB982-77	
	18600-15T11-KIT	Service kits 传动装置修理包	1	All☆Parts		

传动装置（液力式）

TRANSMISSION

图03

Fig 03



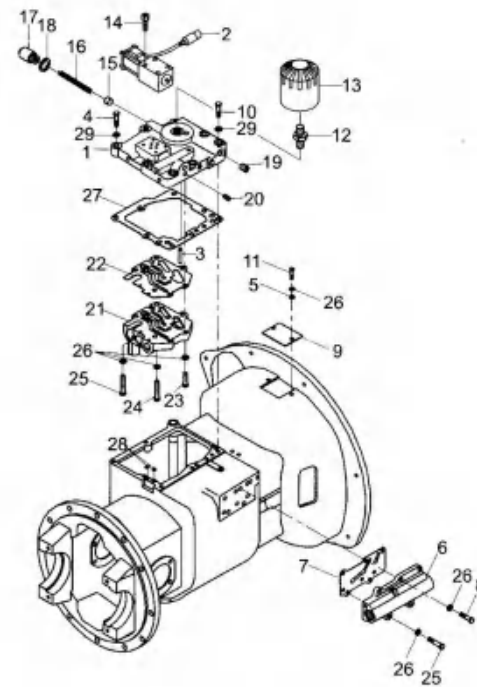
序号	零件编号	零部件名称	数量	备注	供方零件号	备注2
Item No	Part No	Description	QTY	Remark	Supplier Part No	Remark2
A	18627-30T11	Operation valve ass'y 操纵阀总成		All☆Parts		
1	18630-30T11	Cover,case 壳体盖	1	☆		18627-30T11
2	18647-30T11	Valve,solenoid 电磁阀	1			
3	18679-30T11	Pin 销	1	☆		18627-30T11
4	05782-1055A	Bolt 螺栓M10×55	2		GB5783-86 M8x40	
5	00971-0801A	Shim 垫圈8	2		GB93-87-8	
6	186E0-30T11	Inching value ass'y 微动阀总成	1		YQX30-5000	
7	18651-30T11	Shim 衬垫	1		YQX30-0022	
8	05782-0825A	Bolt 螺栓M8×25	4		GB5783-86 M8x25	
9	18652-30T11	Cover,tor-con 变矩器盖	1			
10	05782-1040A	Bolt 螺栓M10×40	6		GB5783-86 M10x55	
11	05782-0812A	Bolt 螺栓M8×12	2		GB5783-86 M8x12	
12	18638-30T11	Nipple 管接头	1	☆	YQX30-4005	18627-30T11
13	18639-30T11	Filter,oil 滤油器	1		YQX30-0300	
14	18633-30T11	Screw 螺钉M5×45	4			
15	18640-30T11	Piston 活塞	1	☆	YQX30-4004	18627-30T11
16	18641-30T11	Spring 弹簧	1	☆	YQX30-4003	18627-30T11
17	18642-30T11	Cup 安全阀盖	1	☆	YQX30-4002	18627-30T11
18	18643-30T11	Packing,copper 衬垫	1	☆	Q/301 B202-86	18627-30T11
19	18644-30T11	Plug 螺塞1/8"	6	☆	JB/ZQ4446-86 R1/4	18627-30T11
20	18645-30T11	Plug 螺塞1/4"	4	☆	YQX30-3002	18627-30T11
21	186D0-30T11	Control ass'y 控制阀总成	1	☆	YQX30D-4200	18627-30T11
22	18648-30T11	Gasket 垫片	1	☆	YQX30D-4001	18627-30T11
23	05782-0835A	Bolt 螺栓M8×35	2	☆	GB5783-86 M8x35	18627-30T11
24	05782-0855A	Bolt 螺栓M8×55	2	☆	GB5783-86 M6x50	18627-30T11
25	05782-0850A	Bolt 螺栓M8×50	2	☆	GB5783-86 M8x55	18627-30T11
26	00093-0801A	Shim 垫圈8	12	☆		18627-30T11
27	18649-30T11	Gasket 垫片	1			
28	01235-09190	O-ring O形圈9×1.9	2			
29	00093-1001A	Washer,lock 垫圈10	8			

盖和微动阀、电液控制

INCHING & ELECTRIC-HYDRAULIC VALVE

图04

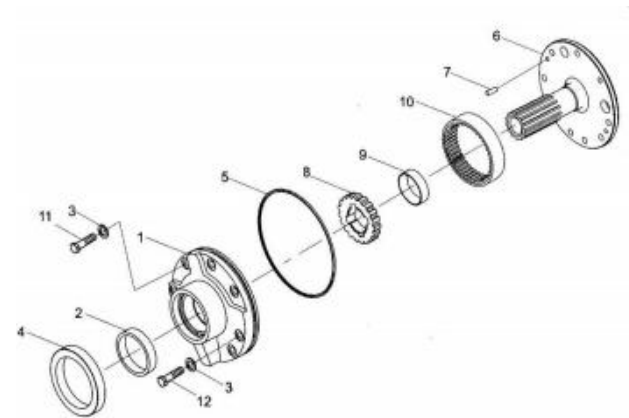
Fig.04



序号	零件编号	零部件名称	数量	备注	供方零件号	备注2
Item No	Part No	Description	QTY	Remark	Supplier Part No	Remark2
A	18605-30T11	Charging pump ass'y 供油泵总成	1		YQX30-3000	
1	18653-30T11	Case,pump 泵体	1		YQX30D-3000	18605-30T11
2	18654-30T11	Bushing 衬套	1		YQX30D-3007	18605-30T11
3	18655-30T11	Washer 衬垫	8		YQX30D-3001	18605-30T11
4	18656-30T11	Seal,oil 油封	1		8JB982-77	18605-30T11
5	18657-30T11	Snap O-ring O形密封圈	1		GB9877.1-88(B50x68x8)	18605-30T11
6	18658-30T11	Support,starter 转子	1		YQX30D-3006	18605-30T11
7	00119-0616A	Pin 圆柱销6×16	2		GB119-88 B6x16	18605-30T11
8	18659-30T11	Gear,drive 主动齿轮	1		YQX30D-3003	18605-30T11
9	18660-30T11	Bushing 衬套	1		YQX30D-3004	18605-30T11
10	18661-30T11	Gear,driven 被动齿轮	1		YQX30D-3005	18605-30T11
11	05782-0825A	Bolt 螺栓M8×25	3		GB5783-86 M8x25	18605-30T11
12	05782-0835A	Bolt 螺栓M8×25	5		GB5783-86 M8x35	18605-30T11

供油泵
图05

CHARGING PUMP
Fig 05



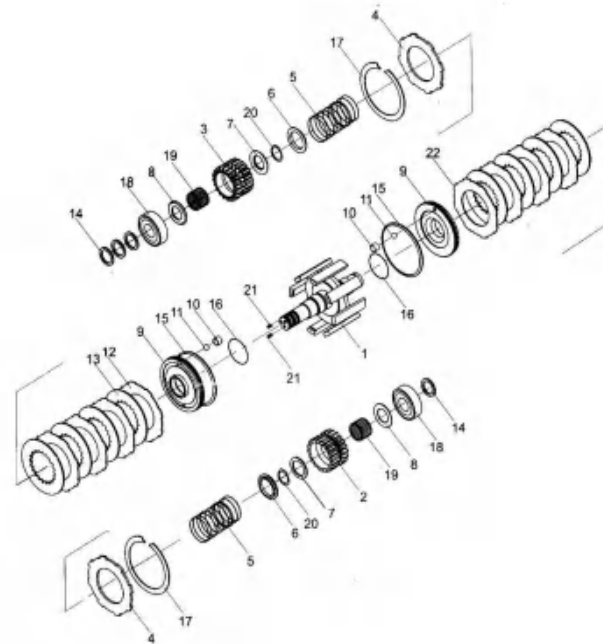
序号	零件编号	零部件名称	数量	备注	供方零件号	备注2
Item No	Part No	Description	QTY	Remark	Supplier Part No	Remark2
A	186C0-15T11	Clutch,hydraulic 离合器总成	1		YQX30-1000	
1	18662-30T11	Shift,input 输入轴总成	1		YQX30-1100	
2	18663-30T11	Gear,reverse 倒车档齿轮	1		YQX30-1003	
3	18664-30T11	Gear,forward 前进档齿轮	1		YQX30-1005	
4	18665-30T11	Plate,end 端板	2		YQX30-1001	
5	18666-30T11	Spring,return 回程弹簧	2		YQX30-1004	
6	18667-30T11	Seat,spring 弹簧座	2		YQX30-1009	
7	18668-30T11	Ring,thrust 止推环A	2		YQX30-1008	
8	18669-30T11	Ring,thrust 止推环B	2		YQX30-1007	
9	18670-30T11	Piston 活塞	2		YQX30-1002	
10	18671-30T11	Plug 塞	1		YQX30-1010	186C0-15T11
11	18672-30T11	Ball,steel 钢球φ3	2		GB308-89 4.000 G2006	
12	18673-30T11	Plate,friction 摩擦片	8	☆	YQX30-1012	
13	18674-30T11	Plate,separator 隔片	8	☆	YQX30-1013	
14	18675-30T11	Ring,seel 密封环A	4	☆	YQX30-1006	
15	18676-30T11	Ring,seel 密封环B	2	☆	YQX30-1011	
16	01235-33735	O-ring O形圈33.7×3.5	2	☆	GB1235-76 10x3.5	
17	18677-30T11	Snap,ring 卡环	2		YQX30-1014	
18	00276-20600	Bearing 轴承6206-2RS	2		6206	
19	18678-30T11	Bearing,needle 滚珠轴承	2		K35x42x20	
20	08941-4000A	Snap,ring 挡圈40	2		GB894.1-86-40	
21	00078-0808A	Screw 螺钉M8×8	2		GB78-95 M8x8	
22	186C0-15T11-KIT	Papilionaceous plate 液力离合器修理包	1	All ☆Parts		

液力离合器

HYDRAULIC CLUTCH

图06

Fig 06



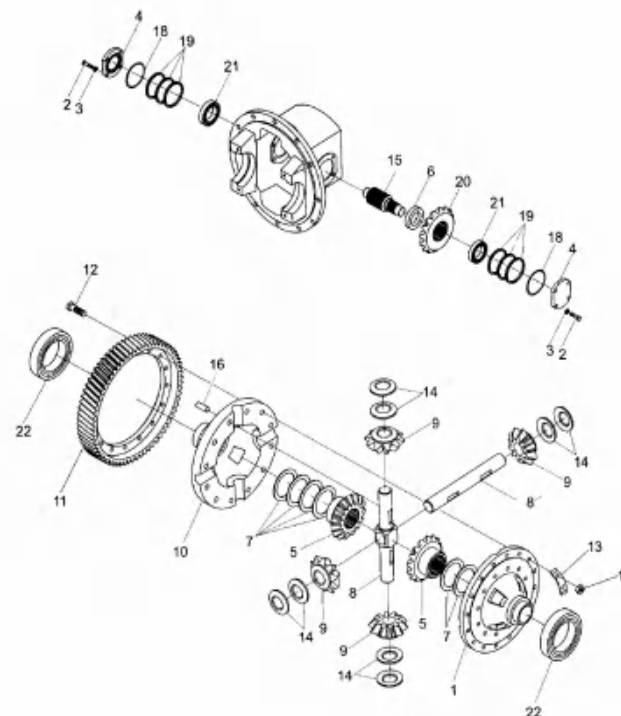
序号	零件编号	零部件名称	数量	备注	供方零件号	备注2
Item No	Part No	Description	QTY	Remark	Supplier Part No	Remark2
01	18702-15T11	Case,cross L.H	1		YQX25-2102	
02	05782-1025A	Bolt	8		GB5783-86 M10x25	
03	00093-1001A	Washer	8		GB93-87-10	
04	18703-25T11	Cover,bearing	2			
05	18704-15T11	Gear,side	2			
06	18705-25T11	Spacer	1	☆		
07	18706-15T11	Shim	AR	按需要		
08	18714-30T11	Shaft,pinon	1			
09	18708-15T11	Gear,pinon	4		YQX30-2104	
10	18709-15T11	Case,cross R.H	1		YQX30-2103	
11	18710-15T11	Gear,ring	1		YQX30-2002	
12	18711-15T11	Bolt	12		YQX30-2001	
13	18712-15T11	Washer,lock	6		YQX30-2004	
14	18713-15T11	Washer,thrust	AR	按需要	GB6176-86 M10x1.25 12.9 GB 1235-76 75x3.1	
15	18717-25T11	Shaft,final pinon gear	1		YQX30-0017	
16	00119-0625A	Pin parallel	1		YQX30-0017	
17	06170-1000A	Nut	12		YQX30-0017	
18	01235-75310	O-ring	2	☆	YQX30-0017	
19	18715-30T11	Shim	AR	☆按需要	6213	
20	18716-25T11	Gear,spiral vevel	1		32207GB/T297-94	
21	00294-32207	Bearing	2			
22	00272-21100	Bearing	2			
	18701-15T11-KIT	Seal kit	1	All☆Parts		

差速器总成

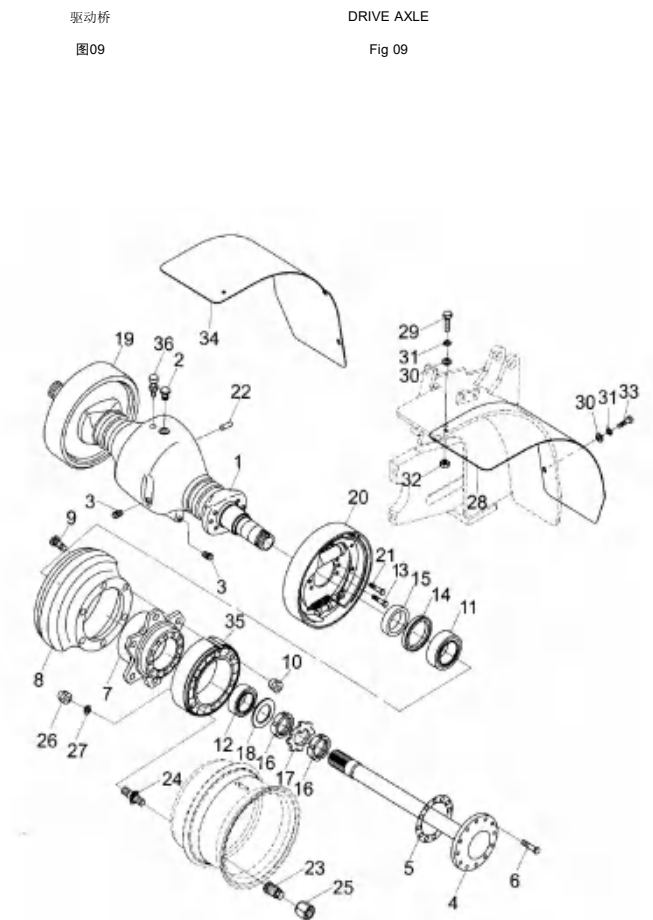
图07

DIFFERENTIAL

Fig 07



序号	零件编号	零部件名称	数量	备注	供方零件号	备注2
Item No	Part No	Description	QTY	Remark	Supplier Part No	Remark2
1	40200-15T11	Housing,axle 桥壳	1			
	402000-15TS11	Housing,axle 桥壳-扇形板连接	1			
2	40201-15T11	Plug,rubber 橡皮塞	1			
3	40202-15T11	Plug 堵塞	2			
4	40203-15T11	Half,shaft 半轴	2			
5	40204-15T11	Gasket 垫	2	☆		
6	40205-15T11	Bolt 螺栓	16			
7	40206-15T11	Hub,wheel 轮毂	2			
8	40207-15T11	Drum,braking 制动鼓	2			
9	40208-15T11	Bolt 螺栓	12	单胎		
*	40209-15T11	Bolt 轮毂螺栓	12	双胎		
10	40210-15T11	Nut 螺母	12			
11	00294-30213	Big bearing,taper 轴承30213	2			
12	40208-30T11	Bearing & oil seal 轴承油封总成	2			
13	40211-15T11	Bolt 螺栓	8			
14	40203-30T11	Oil seal U型密封圈FB100×125×12D	2	☆		
15	40212-15T11	Snap ring 挡环	2			
16	00810-6000A	Nut 圆螺母M60×2	4			
17	00858-6000A	washer locker 垫圈60	2	☆		
18	40213-15T11	Snap ring 垫	2	☆		
19	40214-15T11	Brake ass'y (R,H) 制动器总成(右)	1			
20	40215-15T11	Brake ass'y (L,H) 制动器总成(左)	1			
21	40211-15T11	Bolt 螺栓	8			
22	00119-0826A	Pin 销B8×26	1			
23*	40217-15T11	Nut,hub 柱螺母	12	双胎		
24*	40218-15T11	Bolt 螺栓柱	12	双胎		
25*	06173-1400A	Nut 螺母M14×1.5	12	双胎		
26*	40219-15T11	Nut,hub 双胎球螺母	12	双胎		
27*	00093-1401A	Washer,lock 垫圈14	12	双胎		
28*	40220-15T11	Fender 挡板(左)	1	双胎		
29*	05783-1035A	Bolt 螺栓M10×35	2	双胎		

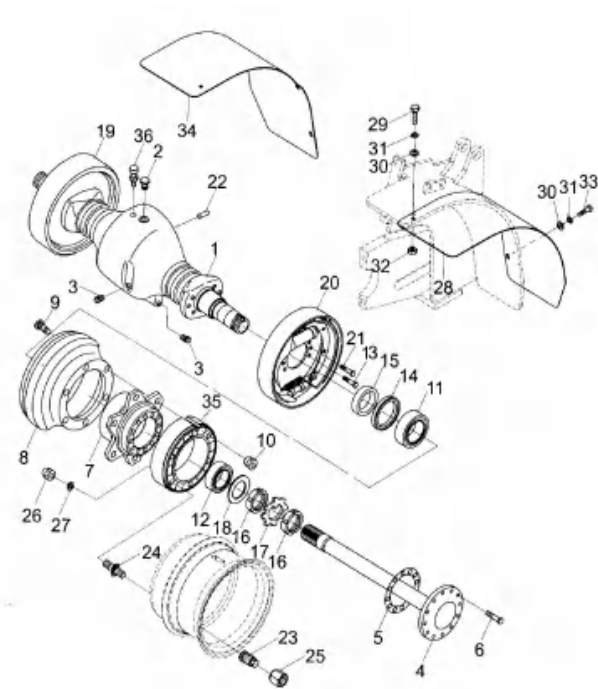


序号	零件编号	零部件名称	备注	供方零件号
Item No	Part No	Description	QTY	Remark
30*	00096-1001A	Washer 垫圈10	12	双胎
31*	00093-1001A	Washer,lock 垫圈10	6	双胎
32*	06170-1000A	Nut 螺母M10	6	双胎
33*	05786-1420A	Bolt 螺栓M10×35	4	双胎
34*	40221-15T11	Fender 挡板(右)	1	双胎
35*	40222-15T11	Joint bushing 联接套	2	双胎
36	40213-30T11	Plug 透气塞	1	
	40400-15T11-KIT	驱动桥修理包	1	All☆Parts

备注2

驱动桥

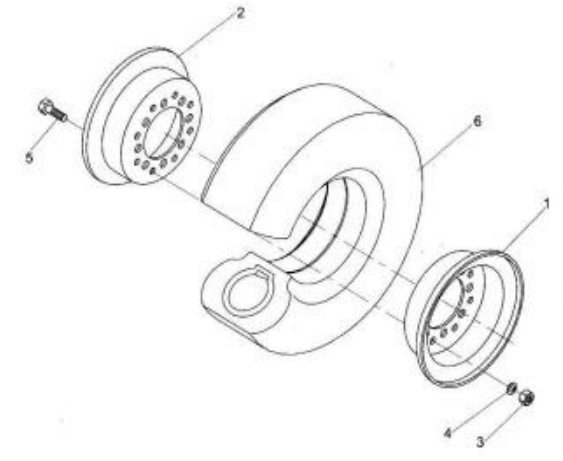
DRIVE AXLE



序号	零件编号	零部件名称	数量	备注	供方零件号	备注2
Item No	Part No	Description	QTY	Remark		
A	21005-15T11-KIT	Tyre ass'y 轮胎总成	2			
B	21006-15T11-KIT	Solid tyre ass'y 实心胎总成	2			
1	21002-15T11	Rim, outside 外轮辋	2			
2	21003-15T11	Rim, inside 内轮辋	2			
3	06170-1200A	Nut 螺母M12	12			
4	00093-1201A	Washer, lock 垫圈12	12			
5	21004-15T11	Bolt 轮辋螺栓	12			
6	21005-15T11	Tire 轮胎6.50-10-10PR	2			
	21006-15T11	Solid tyre 实心胎6.50	2			

驱动轮 (单胎) DRIVE WHEEL (SINGLE TYRE)

Fig10



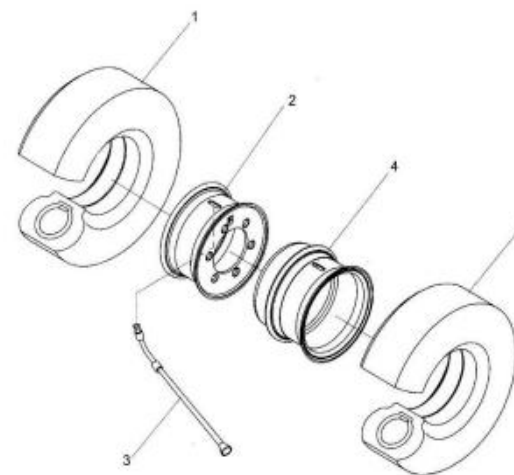
序号	零件编号	零部件名称	数量	备注	供方零件号
Item No	Part No	Description	QTY	Remark	
A	21005-15T11-KIT-IN	Tyre ass'y-inside 内充气胎总成	2	6.5-10-10PR	
B	21006-15T11-KIT-IN	Solid tyre ass'y-inside 内实心胎总成	2	6.5	
C	21005-15T11-KIT-OUT	Tyre ass'y-outside 外充气胎总成	2	6.5-10-10PR	
D	21006-15T11-KIT-OUT	Solid tyre ass'y-outside 外实心胎总成	2	6.5	
1	21005-15T11	Tire 轮胎	4	6.5-10-10PR	
	21006-15T11	Solid tyre 实心胎	4	6.5	
2	21007-15T11	Rim,inside ass'y 内轮辋总成	2		
3	21008-15T11	Pipe 充气接管	2	气胎用	
4	21009-15T11	Rim,outside ass'y 外轮辋总成	2		

备注2

驱动轮（双胎）

DRIVE WHEEL (DOUBLE TYRE)

Fig11



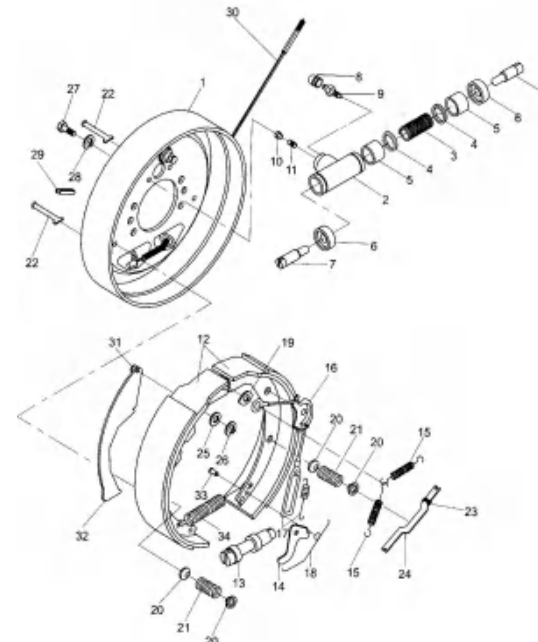
序号	零件编号	零部件名称	数量	备注	供方零件号	备注2
Item No	Part No	Description	QTY	Remark	Supplier Part No	Remark2
A	40214-15T11	Wheel brake ass'y(L.H)制动器总成 (右)	1			
	40215-15T11	Wheel brake ass'y(R.H)制动器总成 (左)	1			
B	4022R-15T11	Weel cylinder ass'y(Inc.2-11)制动器分泵总成(包括2-	2			
1	4022L-15T11	Back plate ass'y 制动器底板总成	1			
2	40249-15T11	Cylinder 制动分泵缸	2			4022R-15T11
3	40227-15T11	Spring 分泵弹簧	2			4022R-15T11
4	40266-15T11	Cup,piston 分泵皮碗	2			4022R-15T11
5	40228-15T11	Piston 分泵活塞	4			4022R-15T11
6	40267-15T11	Cover,dust 分泵护罩	4			4022R-15T11
7	40229-15T11	Rod,piston 分泵活塞顶杆	4			4022R-15T11
8	40230-15T11	Cap,screw 分泵放气螺钉护罩	2			4022R-15T11
9	40231-15T11	Scerw 制动分泵放气螺钉	2			4022R-15T11
10	40268-15T11	Cap,dust 螺纹防护罩	2			4022R-15T11
11	40232-15T11	Seat,tube 制动分泵油塞	2			4022R-15T11
12	40233-15T11	Brake shoe & friction plate ass'y(Inc.11)制动蹄带摩擦	4			
13	40234-15T11	Clearance adjuster 间隙调整器	2			
14	40235-15T11	Pawl 棘爪	2			
15	40236-15T11	Return spring,brake shoe 制动蹄回位弹簧	4			40214-15T11, 40215-15T11
16	40237-15T11	Guide 导向块	2			40214-15T11, 40215-15T11
17	40238-15T11	Wire unit,spring 弹簧拉线装置	2			40214-15T11, 40215-15T11
18	40269-15T11	Spring 弹簧	2			40214-15T11, 40215-15T11
19	40239-15T11	Guide plate 导向板	2			40214-15T11, 40215-15T11
20	40240-15T11	Compression spring seat 压簧座	8			40214-15T11, 40215-15T11
21	40241-15T11	Compression spring 压簧	4			40214-15T11, 40215-15T11
22	40242-15T11	Pull rod,compression spring 压簧拉杆	4			40214-15T11, 40215-15T11
23	40243-15T11	Push rod,hand beaking 手制动推杆	2			40215-15T11

制动器总成

图14

WHEEL BRAKE

Fig 14



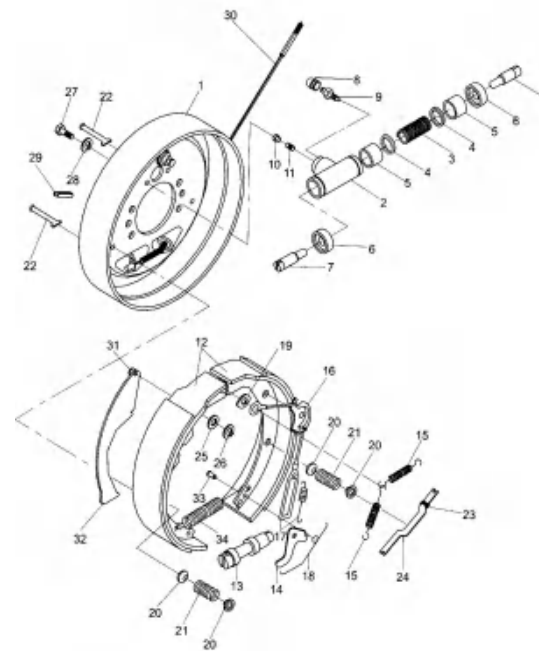
序号	零件编号	零部件名称	数量	备注	供方零件号	备注2
Item No	Part No	Description	QTY	Remark	Supplier Part No	Remark2
25	40245-15T11	Washer, spring 弹性垫片	2			
26	40246-15T11	Snap ring, pin axle 杆销挡圈	2			
27	05782-0616A	Bolt 螺栓M6×16	4			
28	00093-0601A	Washer, lock 垫圈6	4			
29	40271-15T11	Cover 胶堵	4			40214-15T11, 40215-15T11
30	40248-15T11	Cable R.H 制动钢索总成 (右)	1			
	40247-15T11	Cable L.H 制动钢索总成 (左)	1			
31	40250-15T11	Pin 销钉	2			
32	40251-15T11	Rod 手制动拉杆	2			40214-15T11, 40215-15T11
33	40252-15T11	Pin 销钉	2			
34	40253-15T11	Return spring 回位弹簧	2			40214-15T11, 40215-15T11

制动器总成 (FD20 25T)

图14

WHEEL BRAKE (FD20 25T)

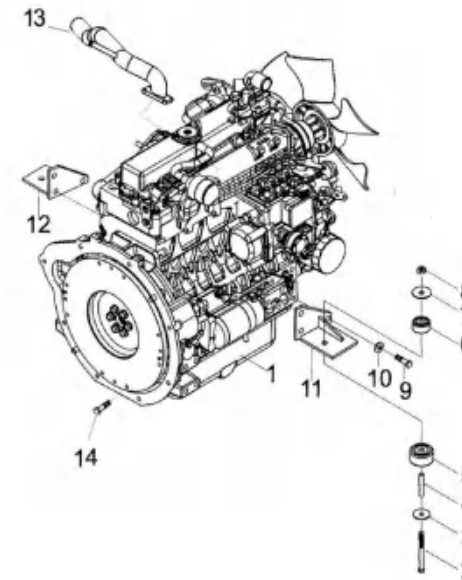
Fig 14



序号	图号	零部件名称	数量	备注	供方零件号	备注2
Item No	Part No	Description	QTY	Remark	Supplier Part No	Remark2
1	10100-15T11	Yanmar engine	1			
	M10100-15T11	Mazda engine	1			
	10100-15TS11	S4Q2 engine	1			
	10100-15TK11	K21 engine	1	-528160021		
	7815-300001-K0	K21 engine	1	528160022-		
2	00311-10110	Bolt	2			
3	11406-30T11	Shim	2			
4	11405-30T11	bushing	2			
5	11401-30T11	Rubber mounts	2			
6	11402-30T11	Rubber mounts	2			
7	11404-30T11	Washer	2			
8	06178-0010A	Nut M10	2			
9	05785-1055A	Bolt	8	F2.0, 4TNE92		
10	00093-1001A	Washer10	8			
11	11200-15T01	Engine support,right	2			
12	M11201-25T01	Engine support,right	1			
	M11202-25T01	Engine support,left	1			
13	Y16500-25T11	air duct	1	4TNE92		
14	05783-0820A	Bolt	8	F2.0, 4TNE92		

发动机
图16

ENGINE
Fig 16

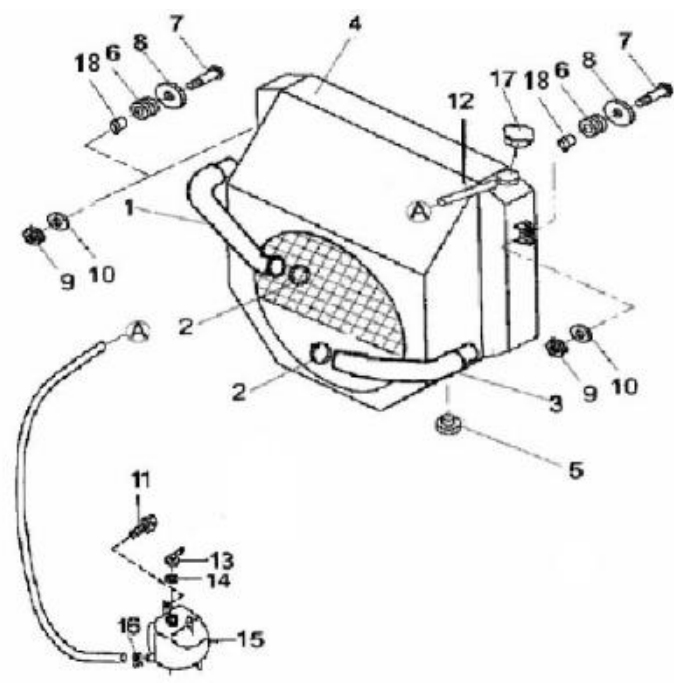


序号	图号	零部件名称	数量	备注	供方零件号
Item No	Part No	Description	QTY	Remark	
A	10012-30T11	Reservior ass'y 副水箱总成	1	ALL ☆ PARTS	
1	10006-15T11	House,upper 散热器进水管	1	4TNE92	
1	M10006-15T11	House,upper 散热器出水管	1	F2.0	
1	320002-15TK11	House,upper 散热器出水管	1	-528160021 K21	
1	7815-300003-K0	House,upper 散热器出水管	1	528160022- K21	
1	321001-15TS11	House,upper 散热器出水管	1	S4Q2	
2	03651-30T11	Clip 双钢丝卡箍Φ35-51	4		
3	10007-15T11	House,lower 散热器进水管	1		
3	320001-30TK11	House,lower 散热器进水管	1	-528160021 K21	
3	7815-300004-K0	House,lower 散热器进水管	1	528160022- K21	
3	M10007-15T11	House,lower 散热器进水管	1		
3	321002-15TS11	House,lower 散热器进水管	1	S4Q2	
4	21400-15T11	Radiator 散热器总成	1	4TNE92	
4	321000-15TK11	Radiator 散热器总成	1	-528160021 K21	
4	7815-300005-K0	Radiator 散热器总成	1	528160022- K21	
4	M21400-15T11	Radiator 散热器总成	1	F2.0	
4	321000-15TS11	Radiator 散热器总成	1	S4Q2	
5	10001-30T11	Rubber,lower 水箱下减振垫	2		
6	11000-30T11	Rubber,upper 水箱上减振垫总成	2		
7	05782-1050A	Bolt 螺栓M10×50	2		
8	00096-1000A	Washer 垫圈10	2		
9	06170-1000A	Nut 螺母M10	2		
10	00093-1000A	Washer 垫圈10	2		
11	05782-0820A	Bolt 螺栓M8x20	2		
12	11003-30T11	Outlet pipe 出水管	1		
13	10008-30T11	Outlet 出水口	☆		10012-30T11
14	10007-30T11	Rubber wash 橡胶垫	1	☆	10012-30T11
15	10010-30T11	Reservior 副水箱	1	☆	N163-330100-000 10012-30T11
16	00010-30T11	Clip 双钢丝卡箍Φ10	1		
17	10011-30T11	Cap of radtator 水箱盖	1		
18	11002-30T11	washer 隔套	2		

备注2
Remark2

冷却系统
图17

COOLING SYSTEM
Fig 17

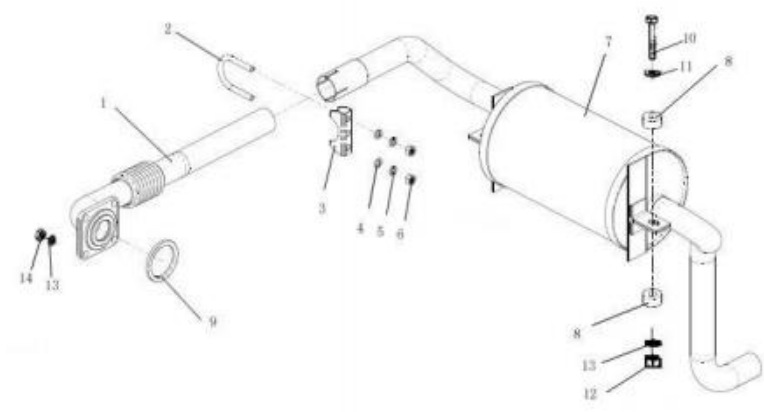


序号	图号	零部件名称	数量	备注	供方零件号
Item No	Part No	Description	QTY	Remark	Supplier Part No
1	20600-15T11	Pipe ass'y	1		
	312000-15TK11	Pipe ass'y	1	-528160021 K21	
	7818-300002-K0	Pipe ass'y	1	528160022- K21	
	M20600-15T11	Pipe ass'y	1		
	312000-15TS11	Pipe ass'y	1	S4Q2	
2	13002-30T11	U-bolt	2		
3	13001-30T11	Stopper	1		
4	00097-0800A	Washer	2		
5	00093-0800A	Washer	2		
6	06170-0800A	Nut	2		
7	20800-15T11	Muffler	1		
	20700-15T11	Muffler-high	1	optional	
	311000-15TS11	Muffler	1	S4Q2	
8	10002-30T11	Rubber	4		
9	20601-25T11	gasket	1		
	M20601-25T11	gasket	1		
10	05783-1050A	Bolt	2		
11	00097-1000A	Washer	4		
12	06170-1000A	Nut	2		
13	00093-1000A	Washer	4		
14	06170-1000A	Nut	4		

备注2
Remark2

排气系统
图18

EXHAUST SYSTEM
Fig 18

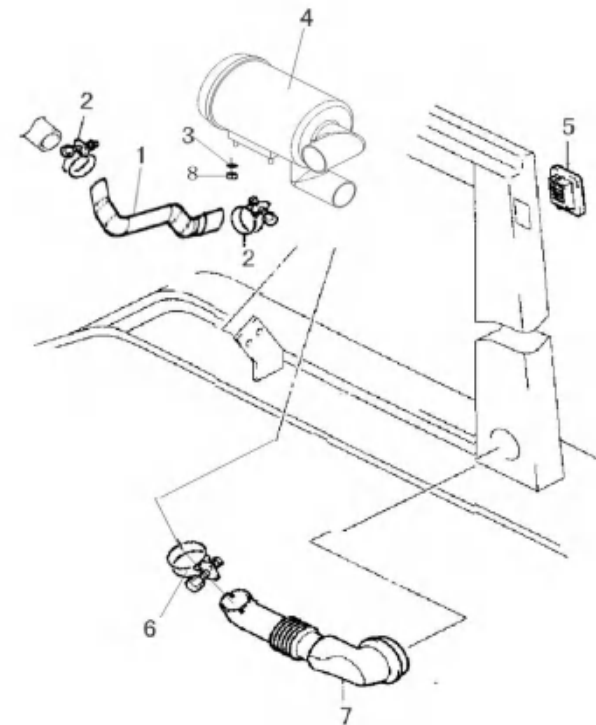


序号 Item No	图号 Part No	零部件名称 Description	数量 QTY	备注 Remark	供方零件号 Supplier Part No
1	Y10005-25T11	House,outlet	1		
	330001-30TK11	House,outlet	1	-528160021 K21	
	7815-300006-K0	House,outlet	1	528160022- K21	
	M10005-15T11	House,outlet	1		
	330002-15TS11	House,outlet	1	S4Q2	
2	06476-30T11	Clip	2		
3	00093-0800A	WASHER	3		
4	19900-15T11	Air cleaner	1		
5	73708-15T11	Cover	1		
6	00072-30T11	Clip	2		
7	10004-15T11	House,inlet	1		
	330001-15TS11	House,inlet	1	S4Q2	
8	06170-0800A	Nut	3		

空滤器安装

AIR CLEANER ASS' Y MOUNT

Fig20



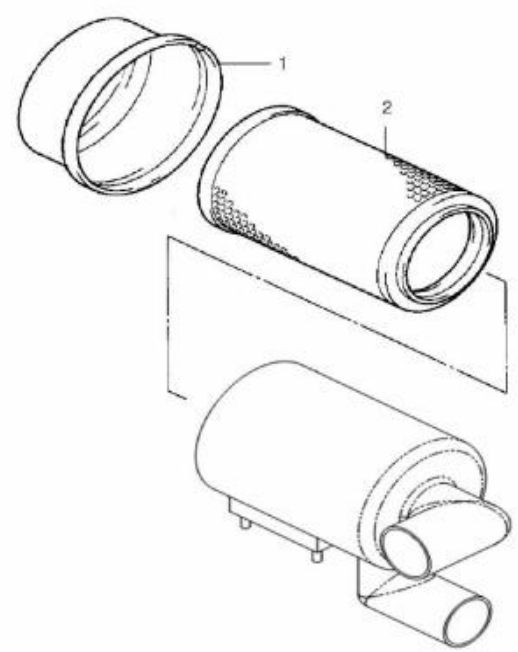
序号	零件编号	零部件名称	数量	备注	供方零件号	备注2
Item No	Part No	Description	QTY	Remark	Supplier Part No	Remark2
A	19900-15T11	Air cleaner 空气滤清器	1			
1	19901-15T11	Cover 空滤器壳	1			19900-15T11
2	19903-15T11	Filter,element 滤芯	1			

空滤器总成1990030T11

AIR CLEANER ASS'Y

图20

Fig 20

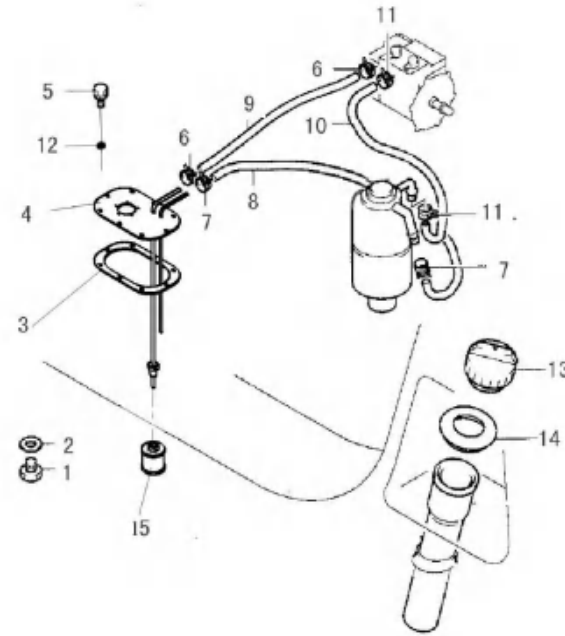


序号	零件编号	零部件名称	数量	备注	供方零件号	备注2
Item No	Part No	Description	QTY	Remark	Supplier Part No	Remark2
1	50309-30T01	Plug 放油螺塞	1			
2	00982-24000	Washer 组合垫24	1			
3	17302-15T11	Packing/Gasket 燃油盖密封垫	1			
4	17400-15T11	Plate/Cover,tank 燃油箱盖总成	1			
5	05782-0816A	Bolt M8X1x16 螺栓M8X1x16	8			
6	00012-30T11	Clip Φ12 双钢丝卡箍Φ12	2			
7	00015-30T11	Clip Φ15 双钢丝卡箍Φ15	2			
8	08440-30T11	House φ8x440 胶管φ8x440	1			
9	06240-30T11	House φ6x240 胶管φ6x240	1	4TNE92		
10	08250-30T11	House φ8x250 胶管φ8x250	1			
11	00015-30T11	Clip Φ15 双钢丝卡箍Φ15	2			
12	00093-0800A	Washer 垫圈8	8			
13	50009-30T11	Cap 加油盖	1			
14	50013-30T11	Rubber 加油管护圈	1			
15	17301-30T11	Sedimentor 燃油滤清器	1			

备注2
Remark2

燃油系统
图21

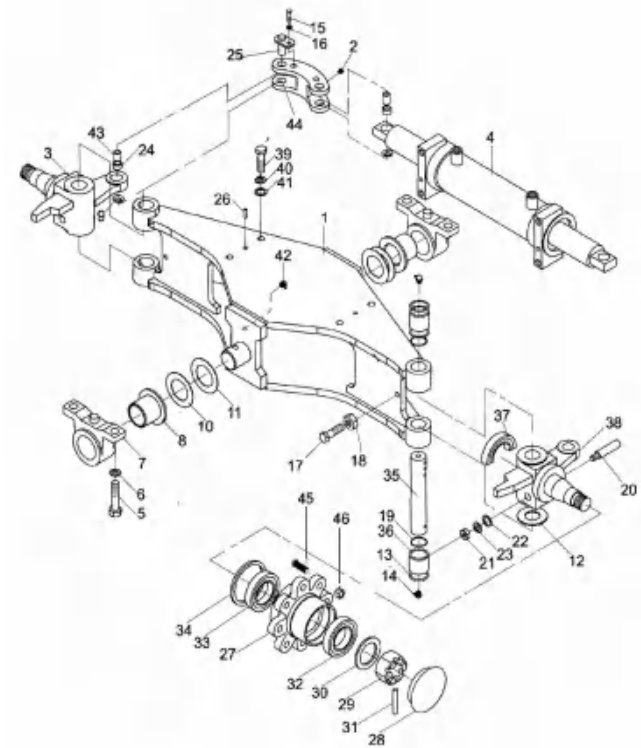
FUEL SYSTEM
Fig 21



序号	零件编号	零部件名称	数量	备注	供方零件号	备注2
Item No	Part No	Description	QTY	Remark	Supplier Part No	Remark2
1	40300-15T11	Axle ass'y	1			
2	50012-15T11	Fitting grease	4			
3	40302-15T11	Knuckle R.H. ass'y	1			
4	40A00-15T11	Steering cylinder ass'y	1			
5	05786-1440A	Bolt	4			
6	00093-1400A	Washer	4			
7	40328-15T11	Support	2			
8	40326-15T11	Bushing	2			
9	40304-15T11	Shim	4			
10	40321-15T11	Shim	2			
11	40327-15T11	Shim	2			
12	40306-15T11	Shim	2			
13	40315-15T11	Seal,oil	2	☆		
14	40317-15T11	Fitting grease	2			
15	05782-0818A	Bolt	4			
16	00093-0800A	Washer_lock	4			
17	05782-1040A	Bolt	2			
18	06170-1200A	Nut	2			
19	40314-15T11	O-ring	2	☆		
20	40310-15T11	Pin	2			
21	06171-10125	Nut	2			
22	00093-0800A	Washer_lock	2			
23	00971-0800A	Washer	2			
24	40316-15T11	Bushing	4			
25	40319-15T11	Pin	4			

转向桥
图22

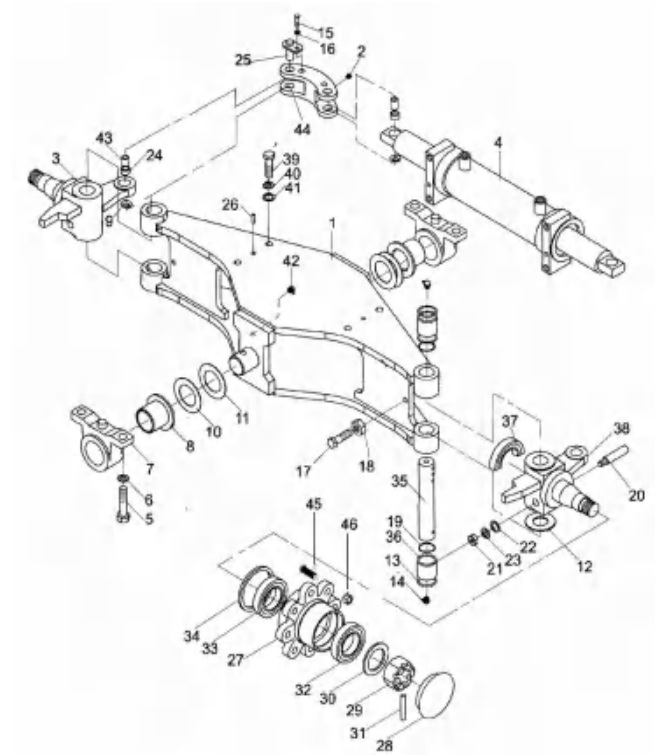
STEERING AXLE
Fig 22



序号	零件编号	零部件名称	数量	备注	供方零件号	备注2
Item No	Part No	Description	QTY	Remark	Supplier Part No	Remark2
26	00119-1020B	Pin	2			
27	40309-15T11	Hub	2			
28	40308-15T11	Cap	2			
29	06171-3220A	Nut	2			
30	00971-3000A	Washer	2			
31	00092-63550	Pin	2			
32	00297-30206	Bearing	2			
33	00297-30208	Bearing	2			
34	40305-15T11	Seel	2			
35	40303-15T11	Pin,king	2			
36	00290-94332	Bearing	4			
37	00301-51208	Bearing	2			
38	40313-15T11	Knuckle L.H. ass'y	1			
39	05782-1240A	Bolt	4			
40	00971-1200A	Washer,lock	4			
41	00093-1200A	Washer	4			
42	40317-15T11	Fitting grease	2			
43	40320-15T11	Bearing	4	☆		
44	40307-15T11	Link	1			
	40301-15T11	Link	2			
45	40322-30T11	Bolt	14			
46	40323-30T11	Nut	14			
	40300-15T11-KIT	Seal kit	1	ALL☆ PARTS		

转向桥
图22

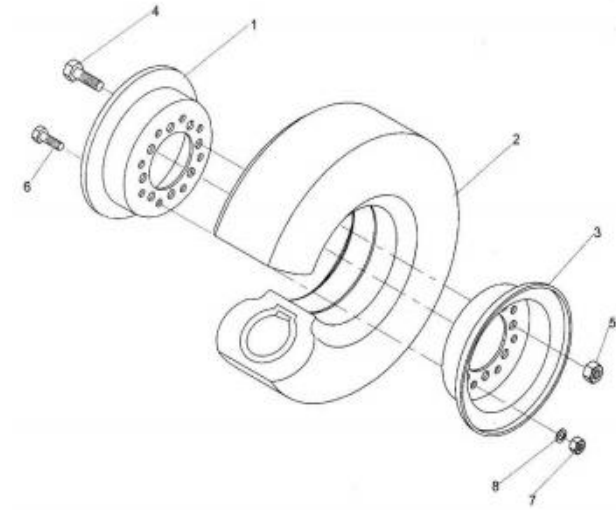
STEERING AXLE
Fig 22



序号	零件编号	零部件名称	数量	备注	供方零件号	备注2
Item No	Part No	Description	QTY	Remark	Supplier Part No	Remark2
A	43402-15T11-KIT	Tyre ass'y 充气胎总成	2			
1	43401-15T11	Rim,inside 内轮辋	2			
2	43402-15T11	Tire 轮胎5.00-8-10PR	2			
3	43403-15T11	Rim,outside 外轮辋	2			
4	43404-15T11	Bolt 轮毂螺栓	12			
5	43405-15T11	Nut 轮毂螺母	12			
6	43406-15T11	Bolt 轮辋螺栓	12			
7	06170-1200A	Nut 螺母M12	12			
8	00093-1200A	Washer,lock 垫圈12	12			

转向轮
图23

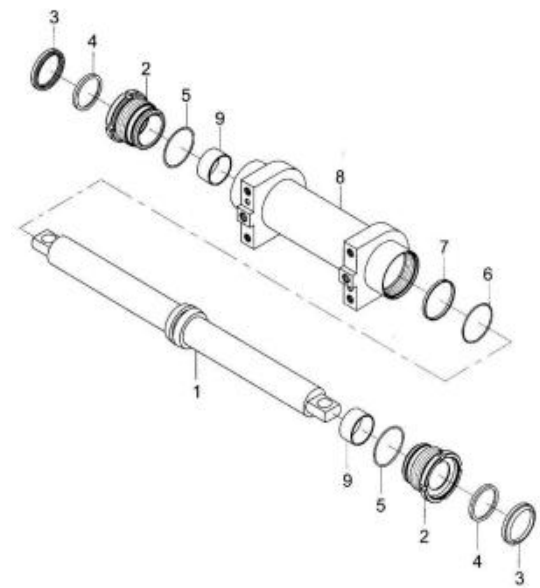
STEERING WHEEL
Fig 23



序号	零件编号	零部件名称	数量	备注	供方零件号	备注2
Item No	Part No	Description	QTY	Remark	Supplier Part No	Remark2
A	40A01-15T11	Steering cylinder 转向油缸总成	1		Z1505-00060	
1	40A02-15T11	Piston rod ass'y 活塞杆总成	1		Z6053-05003	
2	40A03-15T11	Cap 缸盖	2	☆	H24C4-52002	
3	40A04-15T11	Seal,dust 防尘圈40	2	☆	H24C4-52001Sa	
4	40A05-15T11	Y-ring Y型密封圈40×50×6	2	☆	B6152-00065	
5	01235-48355	O-ring O型密封圈48.7×3.55	2	☆	LBH-50	
6	01235-47355	O-ring O型密封圈47.5×3.55	1	☆	H24C4-52153Sa	
7	40A06-15T11	Seal,slipper 支承环	1	☆	Z6003-07003	
8	40A07-15T11	Body,steering cylinder 缸筒总成	1		24329-45591	
9	40A08-15T11	Bearing 钢背轴承4030	2		22658-52301	
	40A00-15T11-KIT	转向油缸修理包	1	All ☆ Parts		

转向油缸
图24

STEERING CYLINDER
Fig 24



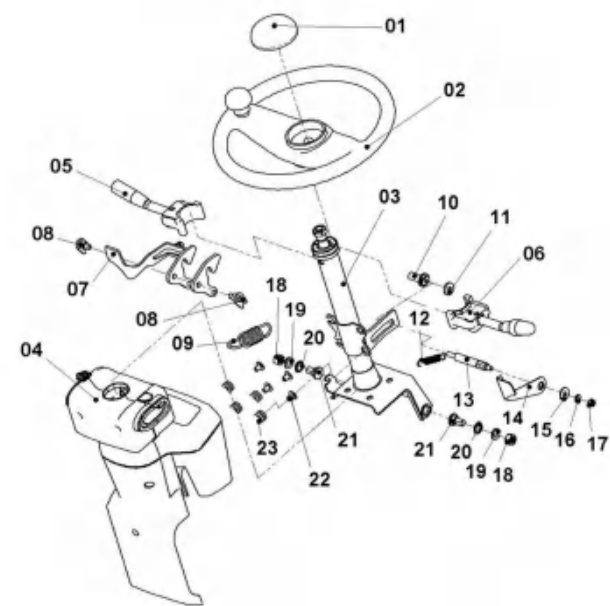
序号	零件编号	零部件名称	数量	备注	供方零件号	备注2
Item No	Part No	Description	QTY	Remark	Supplier Part No	Remark2
1	48009-30T11	Horn Button 喇叭按钮	1			
2	48200-30T11	Steering wheel 方向盘	1			
3	48800-30T11	Column 转向管柱总成	1			
4	24800-30T11	Combination meter 仪表总成	1			
5	24004-30T13	Switch,direction 方向组合开关	1			
6	24005-30T13	Switch,light 灯光组合开关	1			
7	48900-30T11	Lever,left 左手柄总成	1			
8	41000-30T01	Pin,lock 锁紧手柄销轴	2			
9	40002-30T11	Spring 转向管柱拉簧	1			
10	48003-30T01	Axle,knob 锁紧手柄轴 1	1			
11	48007-30T01	washer,lock 锁紧垫圈	2			
12	40003-30T11	Spring 转向左手柄拉簧	1			
13	48002-30T01	Bolt 锁紧手柄螺栓	1			
14	48006-30T01	Lever ,right 右手柄	1			
15	00097-0801A	washer 垫圈8	1			
16	00093-0801A	washer 垫圈8	1			
17	06177-0800A	Nut 螺母M8	1			
18	06170-1200A	Nut 螺母M12	2			
19	00093-1201A	Shim 垫圈12	2			
20	48008-30T11	Shim 转向器固定滑垫	2			
21	40001-30T01	Bolt 转向器固定螺栓	2			
22	48005-30T11	Rubber gasket 橡胶垫衬套	4			
23	48004-30T11	Rubber shim 橡胶垫	4			

转向系统

图25

STEERING SYSEM

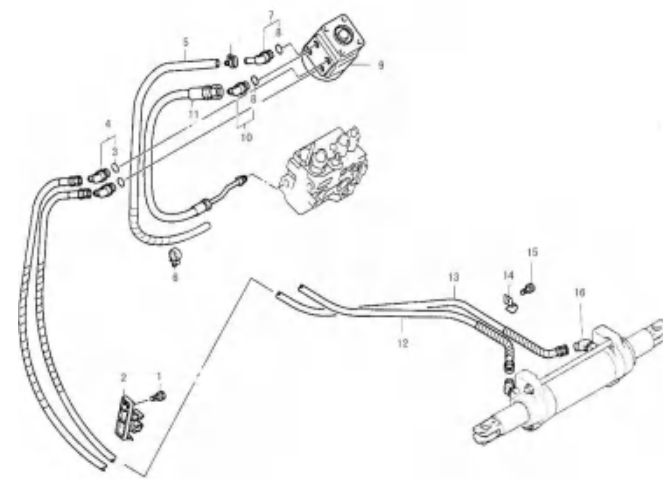
Fig 25



序号	零件编号	零部件名称	数量	备注	供方零件号	备注2
Item No	Part No	Description	QTY	Remark	Supplier Part No	Remark2
1	05787-0816A	Bolt 螺栓M8x16	2			
2	52104-30T01	Clip,oil pipe 油泵进油管夹	1			
3	01235-17265	O-ring O形圈17x2.65	2			
4	68500-30T11	Connector 转向器进油接头	2			
5	82100-15T11	Hose 回油管φ8x2100	1			
6	01319-30T11	Clip 卡箍Φ13-19	2			
7	68400-30T11	Connector 转向器回油接头	1			
8	01235-17265	O-ring O形圈17x2.65	2			
9	48100-30T12	Orbitrol 转向器	1			
10	68300-30T11	Connector 转向器出油接头	1			
11	69E00-15T11	Hose H.P. 转向器高压胶管	1			
12	69F00-15T11	Hose H.P.,left 转向缸高压胶管(左)	1			
13	69G00-15T11	Hose H.P.,right 转向缸高压胶管(右)	1			
14	52105-30T01	Clip 管卡	1			
15	05787-0825A	Bolt 螺栓M8x25	2			
16	691A0-30T11	Connector 转向油缸接头	2			

转向管路
图26

STEERING PIPING
Fig 26



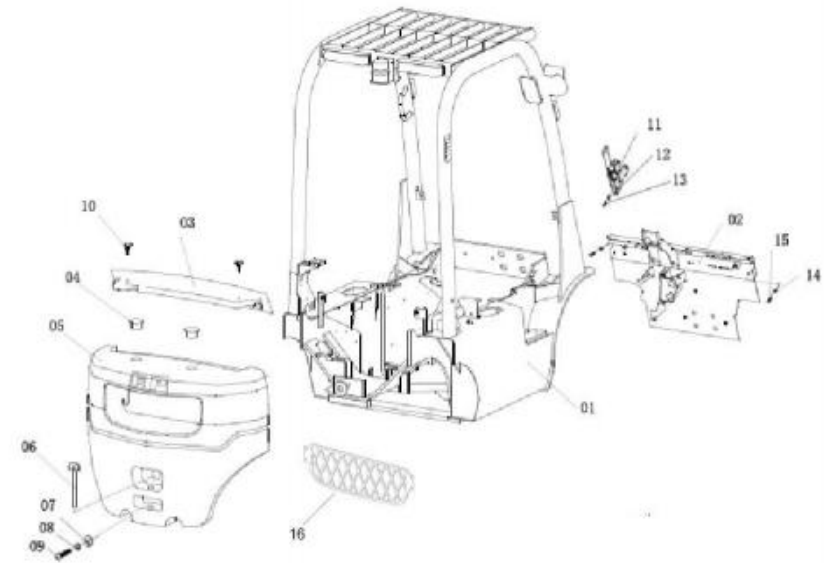
序号	图号	零部件名称	数量	备注	供方零件号	备注2
Item No	Part No	Description	QTY	Remark	Supplier Part No	Remark2
1	50100-15T01	Frame	1	4TNE92		
	M50100-15T01	Frame	1	F2.0		
	510000-15TS01	Frame	1	S4Q2		
2	50500-15T02	Combination meter support	1			
3	50002-15T12	Cover	1			
	50002-15T12G	Cover-high	1			
4	50011-30T11	Cap	1			
5	50001-15T11	Counter weight	1	CPC(Q)D15T8		
	50001-18T11	Counter weight	1	CPC(Q)D18T8		
6	52400-30T01	Pin	1			
7	50010-30T01	Washer	1			
8	00093-3001A	Washer_lock	1			
9	05785-24120	Bolt	1	CPC(Q)D15T8		
	05785-24150	Bolt	1	CPC(Q)D18T8		
10	51600-30T11	Bolt	2			
11	44300-30T11	Brake level ass'y	1			
12	00093-0801A	Washer_lock	2			
13	05782-0820A	Bolt	2			
14	00093-0801A	Washer_lock	4			
15	05782-0830A	Bolt	4			
16	7815-500012-S0	Guard_counter weight	1	528140533-		

车架和平衡重

FRAME COUNTER WEIGHT

图27

Fig 27



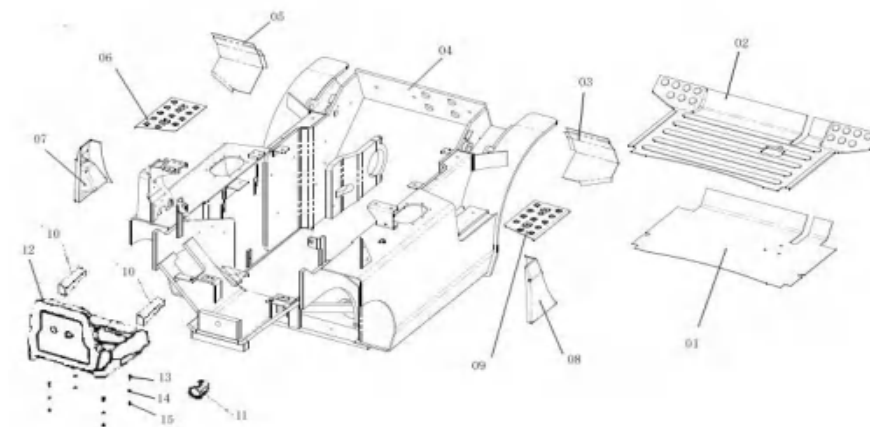
序号	零件编号	零部件名称	数量	备注	供方零件号	备注2
Item No	Part No	Description	QTY	Remark	Supplier Part No	Remark2
1	53000-15T01	Plate	1			
2	50012-15T11	Gasket	1			
3	56000-15T01	braket R	1			
4	50100-15T01	frame	1			
	510000-15TK01	frame	1	-528160021 K21		
	7815-510000-K0	frame	1	528160022- K21		
	M50100-15T01	frame	1			
5	57000-15T01	braket L	1			
6	50004-30T01	Treadboard Right	1			
7	50007-15T12	Cap	1			
8	50008-15T12	Cap	1			
9	50003-30T01	Treadboard Left	1			
10	EP/40300052	Arm	1		M6×16	With seat
11	EP/40300058	seat belt	1			With seat
12	EP/40300025	Seat	1			
	EP/40300026	Seat	1			
13	05782-0835A	Bolt	4			
14	00093-0801A	Washer_lock	4			
15	06170-0800A	Bolt	4			

地板附件、座椅

FLOOR、SEAT

图28

Fig 28



换图

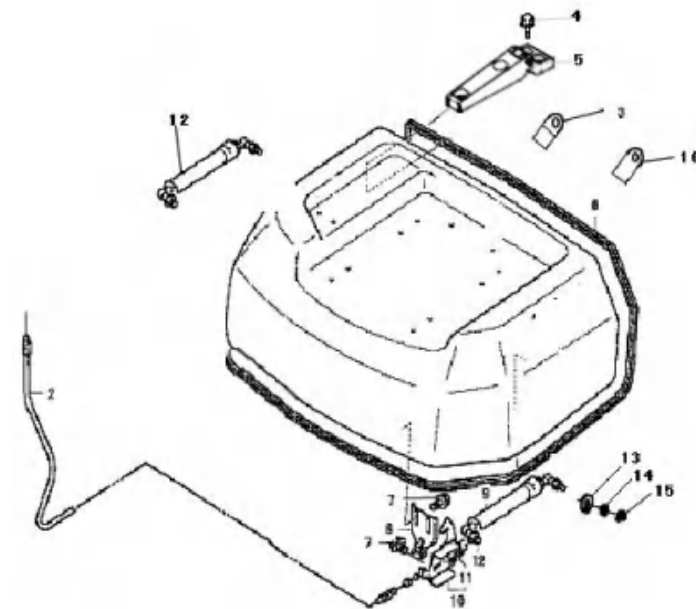
序号	零件编号	零部件名称	数量	备注	供方零件号	备注2
Item No	Part No	Description	QTY	Remark	Supplier Part No	Remark2
1	65500-15T11	Bonnet 发动机罩组件	1			
2	65700-30T11	Cable of open engine cover 引擎盖开启拉索总成	1			
3	65502-30T01	braket 嵌条压板	1			
4	05781-0820A	Bolt 螺栓M8x20	4			
5	65200-15T11	Hinge 铰链总成	2			
6	65504-30T11	Cover 装饰条	1			
7	05781-0820A	Bolt 螺栓M8x20	4			
8	65400-30T11	Plate,lock 锁扣固定板	1			
9	65300-30T11	Shock,absorber L 气弹簧总成(左)	1			
10	52300-30T11	Locker 锁扣总成	1			
11	52304-30T11	Spring, locker 锁扣拉簧	1			
12	653A0-30T11	Shock,absorber R 气弹簧总成(右)	1			
13	00971-0801A	washer 垫圈8	2			
14	00093-0801A	washer 垫圈8	2			
15	06177-0800A	Nut 螺母M8	2			
16	65501-30T11	braket 嵌条压板	8			

内燃机罩安装

BONNET MOUNT

图29

Fig 29



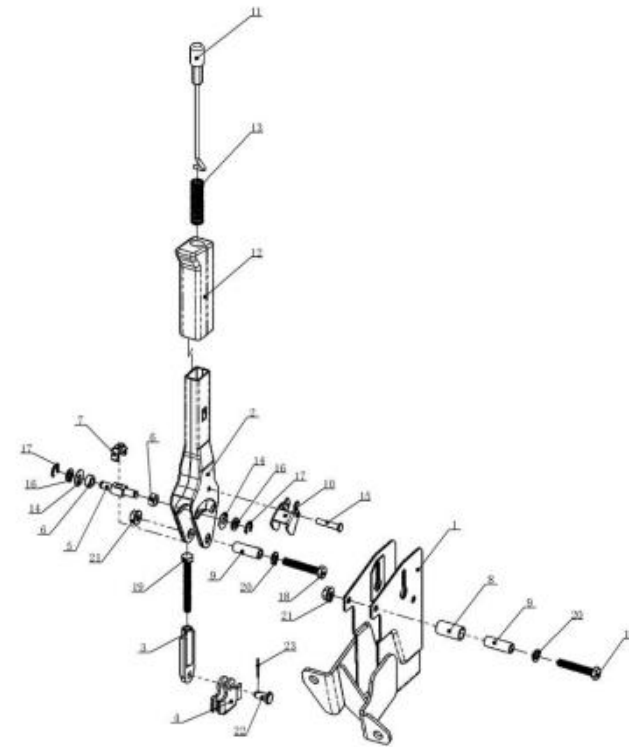
序号	零件编号	零部件名称	数量	备注	供方零件号	备注2
Item No	Part No	Description	QTY	Remark	Supplier Part No	Remark2
A	44300-30T11	Brake level ass'y	1			
1	44301-30T11	Bracket	1		44300-30T11	
2	44302-30T11	Level	1		44300-30T11	
3	44303-30T11	Rod	1		44300-30T11	
4	44304-30T11	Link	1		44300-30T11	
5	44305-30T11	Pin	1		44300-30T11	
6	44306-30T11	Sleeve	2		44300-30T11	
7	44307-30T11	Ring	1		44300-30T11	
8	44308-30T11	Stopper	1		44300-30T11	
9	44309-30T11	Sleeve	1		44300-30T11	
10	44310-30T11	Lock plate	1		44300-30T11	
11	44311-30T11	Rod	1		44300-30T11	
12	44312-30T11	Grip	1		44300-30T11	
13	44313-30T11	Spring	1		44300-30T11	
14	44314-30T11	Washer	2		44300-30T11	
15	44315-30T11	Shaft	1		44300-30T11	
16	00097-0800A	Washer	2		44300-30T11	
17	00896-0800A	Circlip	2		44300-30T11	
18	05782-0850A	Bolt	2		44300-30T11	
19	05782-0870A	Bolt	1		44300-30T11	
20	00093-0800A	Washer	2		44300-30T11	
21	06177-0800A	Nut	2		44300-30T11	
22	00882-0818A	Pin	1		44300-30T11	
23	00091-1620A	Pin	1		44300-30T11	

停车制动

图30

BRAKE LEVEL

Fig 30



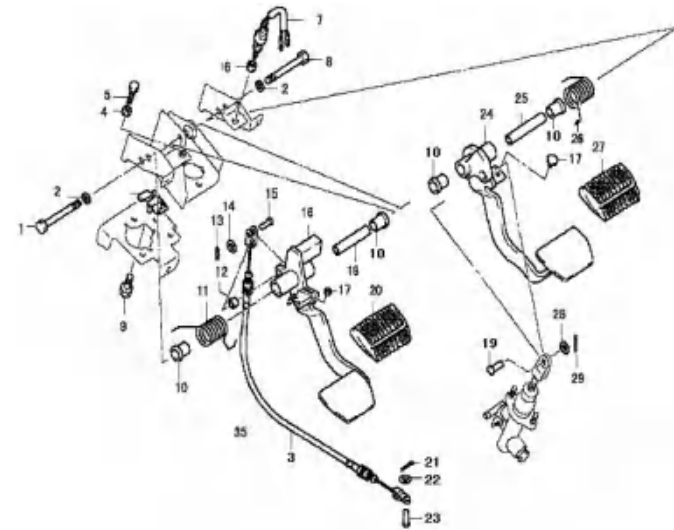
序号	零件编号	零部件名称	数量	备注	供方零件号	备注2
Item No	Part No	Description	QTY	Remark	Supplier Part No	Remark2
1	05782-10100	Bolt	1			
2	00097-1001A	Shim	2			
3	34400-15T11	Cabel ass'y	1			
4	06170-1000A	Nut	2			
5	05782-1045A	Bolt	1			
6	06170-1200A	Nut	1			
7	73720-30T11	Switch,brake	1			
8	05782-10110	Bolt	1			
9	05782-0825A	Bolt	1			
10	46502-30T11	Bushing,nylon	4			
11	46503-30T11	Spring,inchng	1			
12	40005-30T11	Bushing	1			
13	00091-3216A	Pin	1			
14	00097-0800A	Shim	1			
15	00882-08240	Pin	1			
16	465A0-30T01	Slight trivel pedal	1			
17	46603-30T11	absorber	1			
18	46501-30T01	Bushing	1			
19	00882-08300	Pin	1			
20	46504-30T11	Pedal gasket	1			
21	00091-3216A	Pin	1			
22	00097-0801A	Shim	2			
23	00882-08240	Pin	1			
24	466A0-30T01	Brake pedal	1			

行车制动与微动操纵

BRAKE —INCHING CONTROL

图31

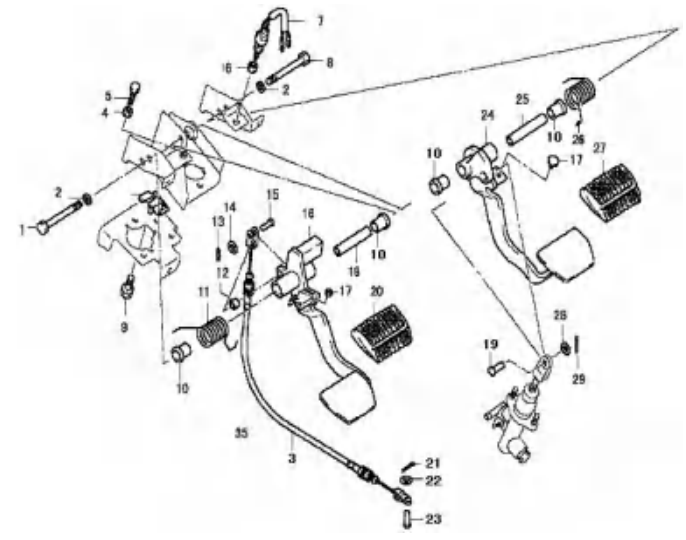
Fig 31



序号	零件编号	零部件名称	数量	备注	供方零件号	备注2
Item No	Part No	Description	QTY	Remark	Supplier Part No	Remark2
25	46601-30T01	Pin,clevis	1			
26	46602-30T11	Spring	1			
27	46504-30T11	Pedal gasket	1			
28	00097-0801A	Shim	2			
29	00091-3216A	Pin	1			

行车制动与微动操纵 BRAKE —INCHING CONTROL

图31 Fig 31



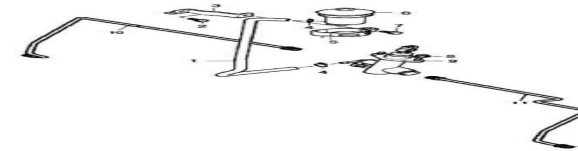
序号	零件编号	零部件名称	数量	备注	供方零件号	备注2
Item No	Part No	Description	QTY	Remark	Supplier Part No	Remark2
1	68903-30T01	Hose 油管	1			
2	05787-0816A	Bolt 螺栓M8x16	1			
3	68900-30T01	Support 油杯固定板	1			
4	06170-0600A	Clip 卡箍Φ	2			
5	68902-30T01	Support ring 油杯固定环	1			
6	68800-30T11	Tank, reserve 制动油杯	1			
7	05787-0630A	Bolt 螺栓M6x30	1			
8	06170-0800A	Nut 螺母M8	2			
9	68600-15T11	Master cylinder 制动总泵	1			
10	46200-15T11	House, left 左制动油管	1			
11	46300-15T11	House, right 右制动油管	1			

制动总泵安装

MASTER CYLINDER MOUNT

图32

Fig 32



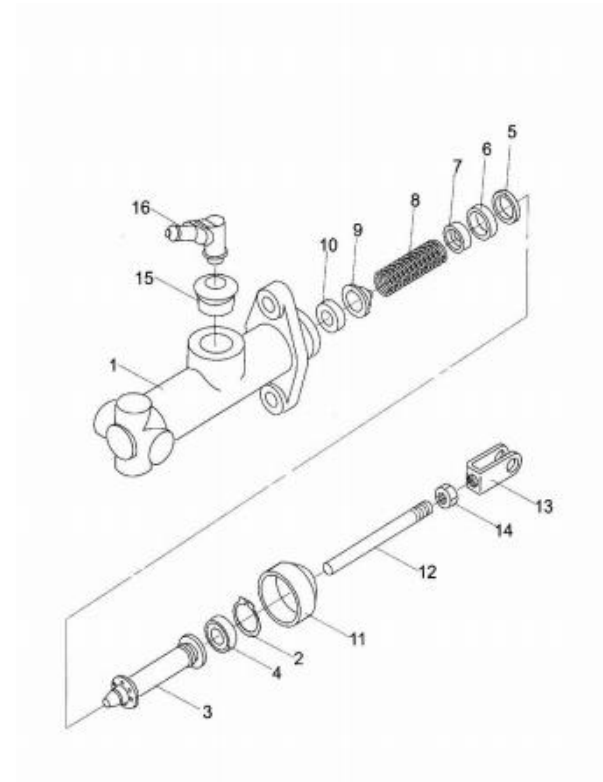
序号	零件编号	零部件名称	数量	备注	供方零件号	备注2
Item No	Part No	Description	QTY	Remark	Supplier Part No	Remark2
A	68600-15T11	Master cylinder	1			
1	68601-15T11	Body	1			68600-15T11
2	68602-15T11	Ring,stopper	1			68600-15T12
3	68603-15T11	Piston	1			68600-15T13
4	68604-15T11	Cup,secondary	1			68600-15T14
5	68605-15T11	Spacer,cup	1			68600-15T15
6	68606-15T11	Cup,primary	1			68600-15T16
7	68607-5T11	Sear,spring	1			68600-15T17
8	68608-15T11	Spring	1			68600-15T18
9	68609-15T11	Valv,check	1			68600-15T19
10	68610-15T11	Seat, valve	1			68600-15T20
11	68611-15T11	Boots	1			68600-15T21
12	68702-30T11	Rod,push	1			
13	68613-30T11	Clevis	1			68600-15T23
14	68614-30T11	Nut	1			68600-15T24
15	68615-30T11	Bushing,rubber	1			68600-15T25
16	68616-30T11	Union	1			68600-15T26

制动总泵

图33

MASTER CYLINDER

Fig 33

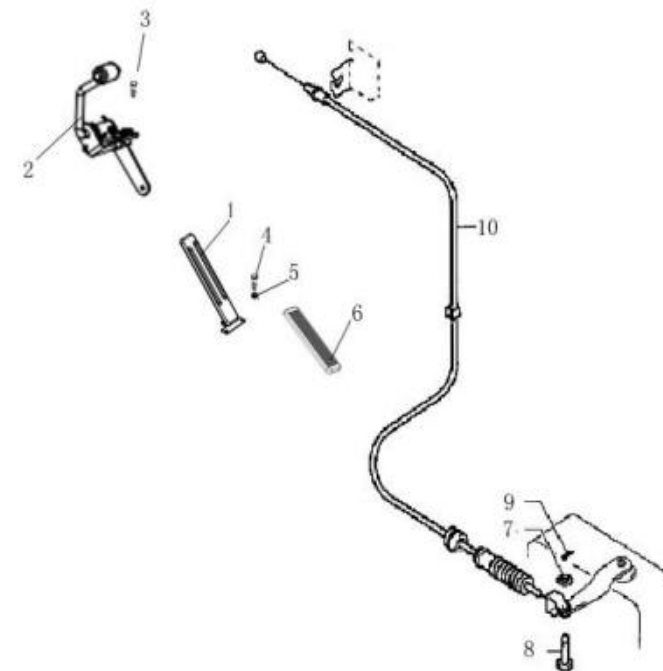


序号	零件编号	零部件名称	数量	备注	供方零件号	备注2
Item No	Part No	Description	QTY	Remark	Supplier Part No	Remark2
1	18300-15T11	Pedal 油门踏板	1			
2	18100-15T11	Control ass'y 油门操纵总成	1			
3	05781-0816A	Bolt 螺栓M8x16	2			
4	05781-0610A	Bolt 螺栓M6x10	2			
5	00097-0600A	Washer 垫圈6	2			
6	46505-30T11	Ruber 油门踏皮	1			
7	00097-0600A	Washer 垫圈6	2			
8	00882-06150	Pin 销轴6x15	1			
9	00091-0216A	Pin 销2x16	1			
10	18200-15T11	Soft shaft 油门拉索总成	1			
	M18200-15T11	Soft shaft 油门拉索总成	1			

油门踏板
图34



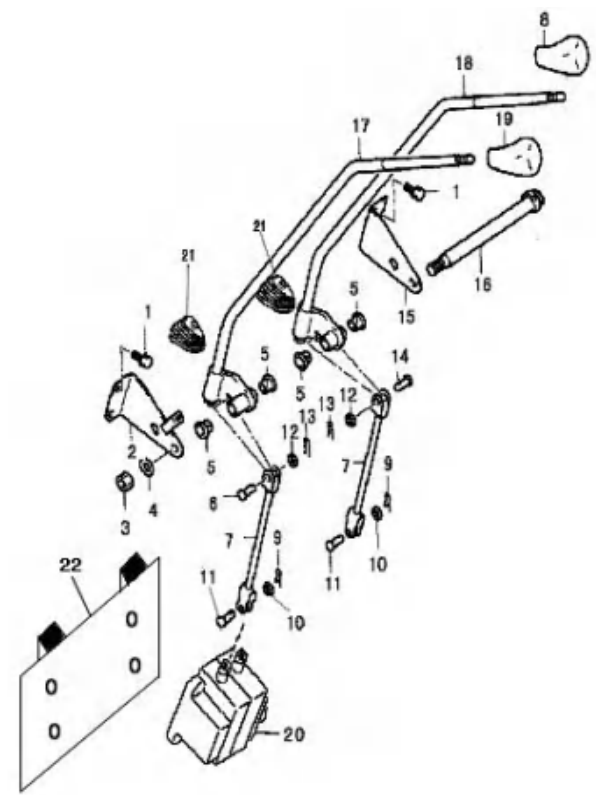
ACCELERATOR PEDAL
Fig 34



序号	零件编号	零部件名称	数量	备注	供方零件号
Item No	Part No	Description	QTY	Remark	Supplier Part No
1	05787-0820A	Bolt 螺栓M8x20	4		
2	69401-30T01	Bracket L.H. 左固定支架	1		
3	06170-1000A	Nut 螺母M10	1		
4	00093-1001A	Washer 垫圈10	1		
5	69404-30T01	Bushing,nylon 尼龙石墨套φ12	4		
6	00882-08240	Pin 销轴8x24	1		
7	694E0-30T01	Joint 连接杆总成	2		
8	694D0-30T11	Knob,tilting 倾斜手柄球	1		
9	00091-12120	Pin,cotter 开口销1.2x12	2		
10	00097-0501A	Shim 垫圈5	2		
11	40004-30T01	Pin 销轴(操纵杆)	2		
12	00097-0801A	Shim 垫圈8	2		
13	00091-0220	Pin,cotter 开口销2x20	2		
14	00882-08240	Pin 销轴8x24	1		
15	69402-30T01	Bracket R.H. 右固定支架	1		
16	69403-30T01	shaft,control 操纵手柄连接杆	1		
17	694A0-30T01	Lever,lift 提升操纵杆总成	1		
18	694B0-30T01	Lever,tilt 倾斜操纵杆总成	1		
19	694C0-30T11	Knob, lifting 起升手柄球	1		
20	69500-30T11	Multi-way valve(two-throw) 多路换向阀(二联)	1		
21	40007-30T01	Cover 护套	2		6048-10021
22	69700-30T01	Braket 固定板	1		

备注2 操纵杆总成(二联) VALVE CONTROL LINKAGE (TWO-THROW)

图35 Fig 35

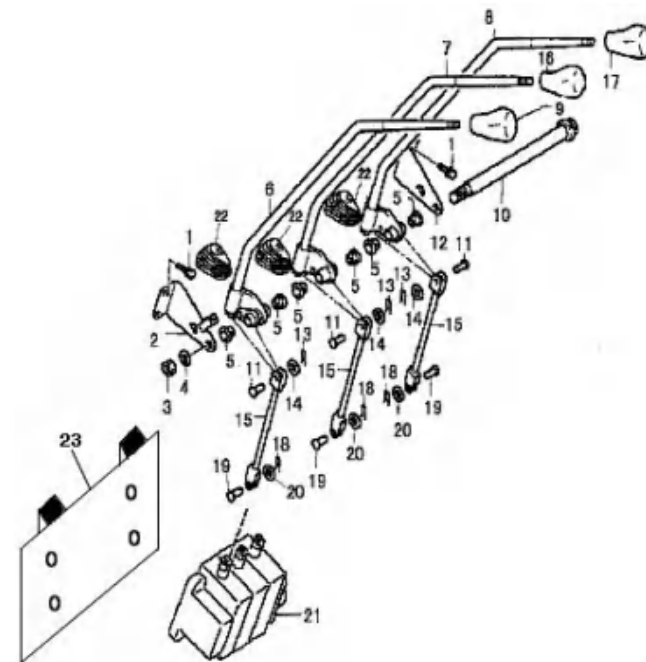


序号 Item No	零件编号 Part No	零部件名称 Description	数量 QTY	备注 Remark	Supplier Part No
1	05787-0820A	Bolt 螺栓M8x20	4		
2	69401-30T01	Bracket L.H 左固定支架	1		
3	06170-1000A	Nut 螺母M10	1		
4	00093-1001A	Washer 垫圈10	1		
5	69404-30T01	Bushing,nylon 尼龙石墨套φ12	6		
6	694A0-30T01	Lever,lift 提升操纵杆总成	1		
7	694B0-30T01	Lever,tilt 倾斜操纵杆总成	1		
8	694F0-30T01	Lever,third 侧移/第三片阀操纵杆总成	1		
9	694C0-30T11	Knob, lifting 起升手柄球	1		
10	69403-30T01	Shaft, control 操纵手柄连接杆	1		
11	00882-08240	Pin 销轴8x24	3		
12	69402-30T01	Bracker R.H. 右固定支架	1		
13	00091-0220	Pin,cotter 开口销2x20	3		
14	00097-0801A	shim 垫圈8	3		
15	694E0-30T01	Joint 连接杆总成	3		
16	694D0-30T11	Knob,tilting 倾斜手柄球	1		
17	694G0-30T11	Knob,sideshift 侧移手柄球	1		
18	00091-12120	Pin,cotter 开口销1.2x12	3		
19	40004-30T01	Pin 销轴(操纵杆)	3		
20	00097-0501A	shim 垫圈5	3		
21	695A0-30T11	Multi-way valve(third throw) 多路换向阀(三联)	1		
22	40007-30T01	Cover 护套	3		6048-10021
23	69700A-30T01	Braket 固定板	1		

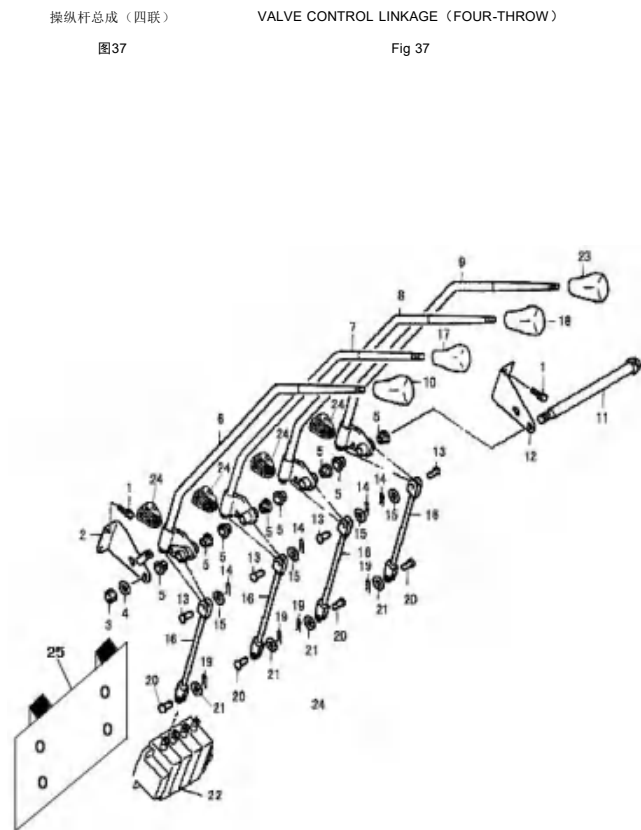
备注2
Remark2

操纵杆总成(三联)
图36

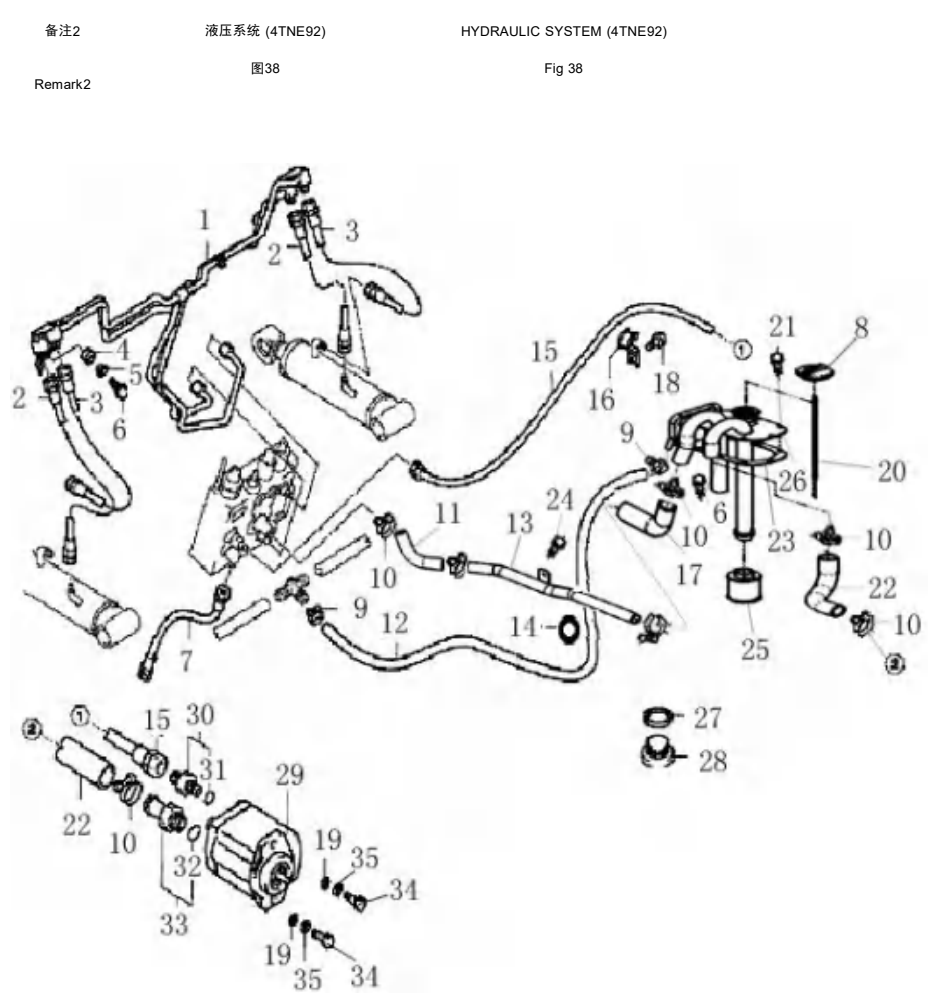
VALVE CONTROL LINKAGE (Three-THROW)
Fig 36



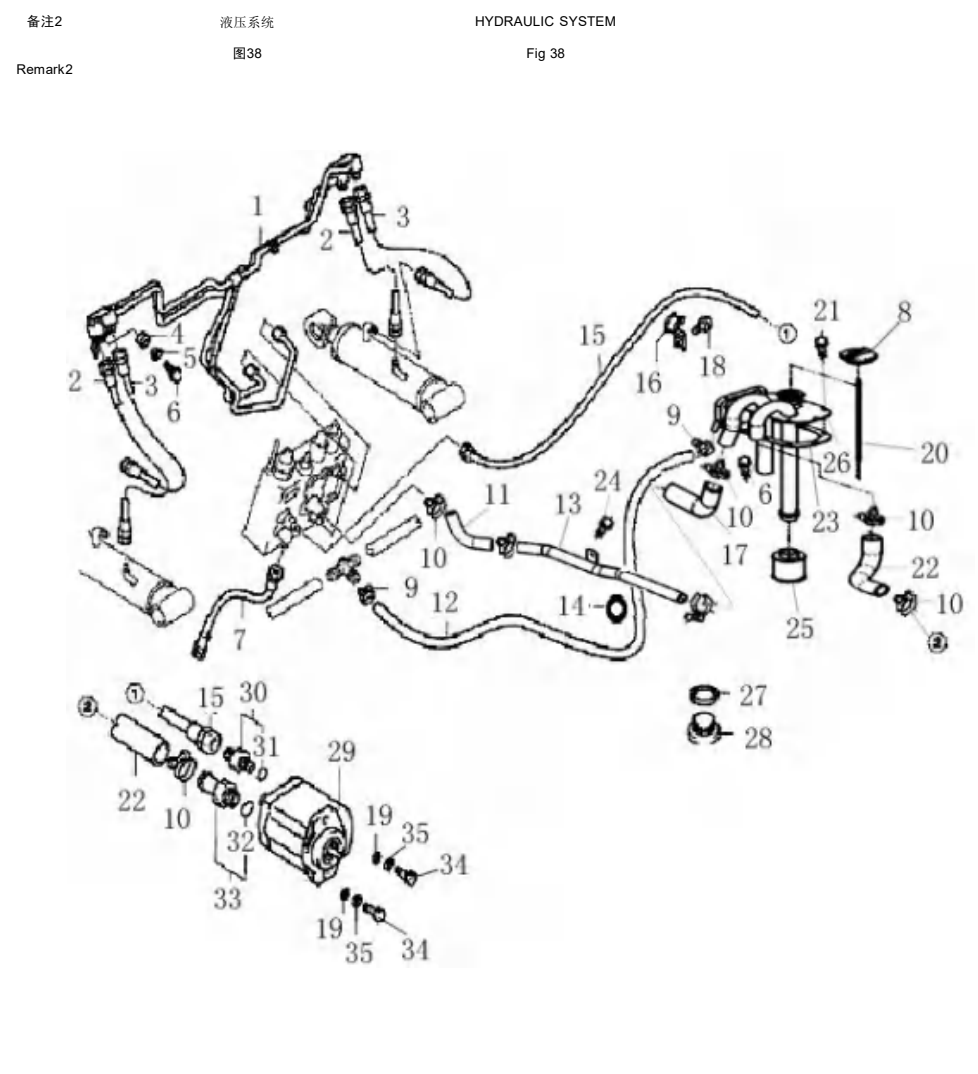
序号	零件编号	零部件名称	数量	备注	供方零件号	备注2
Item No	Part No	Description	QTY	Remark	Supplier Part No	Remark2
1	05787-0820A	Bolt 螺栓M8x20	4			
2	69401-30T01	Bracket L.H. 左固定支架	1			
3	06170-1000A	Nut 螺母M10	1			
4	00093-1001A	Washer 垫圈10	1			
5	69404-30T01	bushing, nylon 尼龙石墨套φ12	8			
6	694A0-30T01	Lever, lift 提升操纵杆总成	1			
7	694B0-30T01	Lever, tilt 倾斜操纵杆总成	1			
8	694F0-30T01	Lever, third 侧移/第三片操纵杆总成	1			
9	694G0-30T01	Lever, fourth 旋转操纵杆总成/第四片阀杆	1			
10	694C0-30T11	Knob, lifting 起升手柄球	1			
11	69403-30T01B	Shaft, valve 操纵手柄连接杆	1			
12	69402-30T01	Bracket R.H. 右固定支架	1			
13	00882-08240	Pin 销轴8x24	1			
14	00091-0220	Pin, cotter 开口销2x20	4			
15	00097-0801A	Shim 垫圈8	4			
16	694E0-30T01	Joint 连接杆总成	4			
17	694D0-30T11	Knob, tilting 倾斜手柄球	1			
18	694G0-30T11	Knob, sideshift 侧移手柄球	1			
19	00091-12120	Pin, cotter 开口销1.2x12	4			
20	40004-30T01	Pin 销轴(操纵杆)	4			
21	00097-0501A	shim 垫圈5	4			
22	695B0-30T11	Multi-way valve(fouth throw) 多路换向阀(四联)	1			
23	694C3-30T11	Knob, fourth valve 空白手柄球	1			
24	40007-30T01	Cover 护套	4		6048-10021	
25	69700B-30T01	Braket 固定板	1			



序号	零件编号	零部件名称	数量	备注	供方零件号
Item No	Part No	Description	QTY	Remark	Supplier Part No
1	69800-30T11	Steel pipe ass'y	1		
2	69J00-15T11	Hose H.P.	2		
3	69H00-15T11	Hose H.P.	2		
4	69804-30T11	Rubber	2		
5	69805-30T11	Bushing	2		
6	05781-0830A	Bolt	2		
7	69E00-15T11	Hose H.P.	1		
8	50010-30T11	Oiling cap ass'y	1		
9	00160-30T11	Clip	1		
10	35410-30T11	Clip	2		
11	69003-30T11	Hose	1		
12	12120-30T11	Hose	1		
13	69900-15T11	Steel pipe ass'y	1		
14	69806-30T11	Clip	4		
15	69B00-15T11	Hose H.P.	1		
16	52104-30T11	Clip	1		
17	69004-30T11	Hose	1		
18	05787-0816A	Bolt	1		
19	00097-1001A	Washer	2		
20	69013-30T11	oil measuer	1		23657-53101G
21	05786-0820A	Bolt	8		M8x1x20
22	69005-15T11	Hose H.P.	1		
23	17303-15T11	Cover gasket	1		
24	05781-0816A	Bolt	4		
25	17502-30T11	Strainer	1		
26	17500-15T11	Cover Plate ass'y	1		
27	00987-2400A	Gasket	1		
28	50306-30T01	Plug	1		
29	Y69100-25T11	Hydraulic pump	1		
30	69300-30T11	Connector	1		



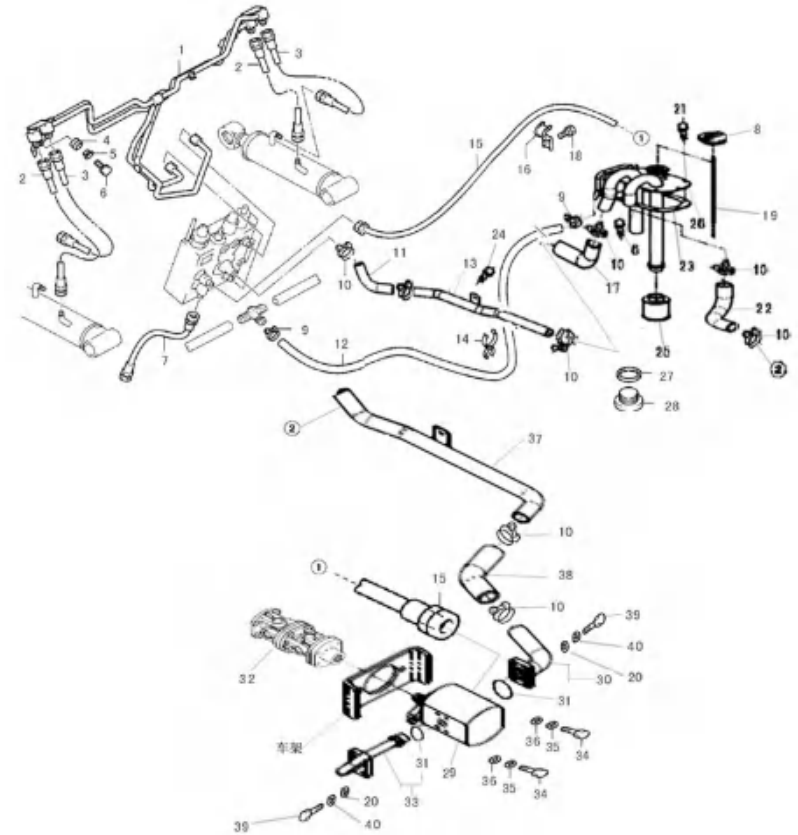
序号	零件编号	零部件名称	数量	备注	供方零件号
Item No	Part No	Description	QTY	Remark	Supplier Part No
31	01235-17265	O-ring	1		
32	01235-28355	O-ring	1		
33	69200-30T11	Connector	1		SGP1A31.9D2 H9-R438
34	05782-1050A	Bolt	2		SGP1A31.9D2 H9-L438
35	00093-1001A	shim	2		



序号	图号	零部件名称	数量	备注	供方零件号	备注2
Item No	Part No	Description	QTY	Remark	Supplier Part No	Remark2
1	69800-30T11	Steel pipe ass'y 倾斜缸钢管总成	1			
2	69H00-15T11	Hose H.P. 倾斜缸高压胶管 (短)	2			
3	69J00-15T11	Hose H.P. 倾斜缸高压胶管 (长)	2			
4	69804-30T11	Rubber 橡胶垫	2			
5	69805-30T11	Bushing 钢管套	2			
6	05787-0830A	Bolt 螺栓M8×30	4			
7	69E00-15T11	Hose H.P. 转向器高压胶管	1			
8	50010-30T11	Oiling cap ass'y 加油盖总成	1			
9	00160-30T11	Clip 双钢丝卡箍φ9-16	1			
10	35410-30T11	Clip 双钢丝卡箍φ35-41	2			
11	69003-30T11	Hose 分配器上回油管	1			
12	12120-15T11	Hose 胶管φ12×1200	1			
13	69900-15T11	Steel pipe ass'y 分配器回油钢管总成	1			
14	69806-30T11	Clip 卡扣	4			
15	M69006-15T11	hose 齿轮泵出油管	1	1600		
16	52104-30T01	Clip 油泵进油管夹	1			
17	69004-30T11	Hose 分配器下回油管	1			
18	05781-0816A	Bolt 螺栓M8×16	1			
19	69013-30T11	oil measuer 液压油尺	1			
20	00097-0801A	shim 垫圈8	8			
21	05786-0820A	Bolt 螺栓M8×1×20	6			
22	M69005-15T12	Hose H.P. 齿轮泵进油管	1			
23	17302-15T11	Cover gasket 油箱盖密封垫	2			
24	05782-0816A	Bolt 螺栓M8×16	4			
25	17502-30T11	Strainer 滤油器	1			
26	17500-15T11	Cover Plate ass'y 液压油箱盖总成	1			17302-15T11
27	00987-2400A	Gasket 组合垫24	1			

液压系统(Mazda F2)

图38-1



HYDRAULIC SYSTEM(Mazda f2)

Fig 38-1

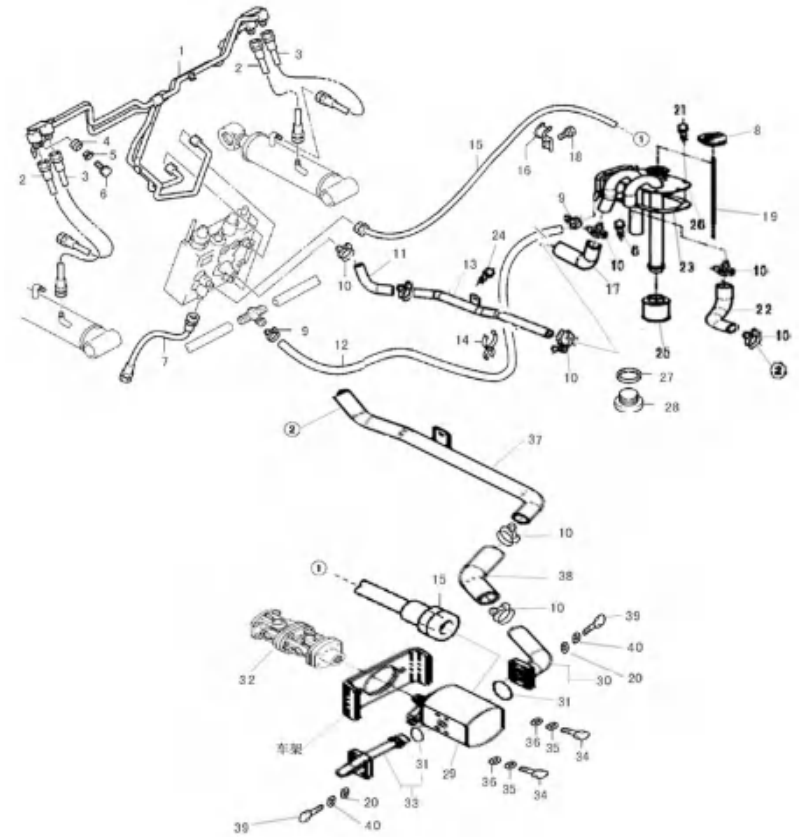
序号	图号	零部件名称	数量	备注	供方零件号	备注2
Item No	Part No	Description	QTY	Remark	Supplier Part No	Remark2
28	50306-30T01	Plug 放油螺塞	1			
29	M69100-30T11	Hydraulic pump 齿轮泵	1		CBFZ-F32AFXH	
30	M11600-15T11	Connector 齿轮泵进油接头总成	1			
31	01235-28355	O-ring O形圈28×3.55	2			
32	M11700-15T11	shaft 传动轴	1			
33	M11500-15T12	Connector 齿轮泵出油接头总成	1			
34	05782-1040A	Bolt 螺栓M10×40	2			
35	00097-1001A	shim 垫圈10	2			
36	00093-1001A	shim 垫圈10	2			
37	M699A0-15T11	pipe 齿轮泵吸油管总成	1			
38	M69004-15T11	Hose 分配器下回油管	1			
39	05781-00820	Bolt 螺栓M8×20	8			
40	00093-0801A	shim 垫圈8	8			

液压系统(Mazda F2.0)

HYDRAULIC SYSTEM(Mazda)

图38-1

Fig 38-1



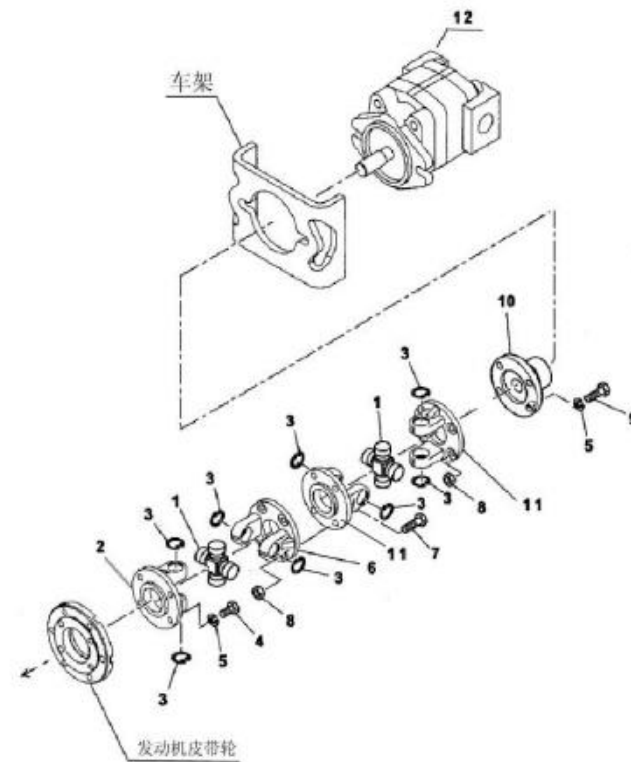
序号	图号	零部件名称	数量	备注	供方零件号	备注2
Item No	Part No	Description	QTY	Remark	Supplier Part No	Remark2
1	M11703-25T11	shaft 十字轴	2			M11700-15T11
2	M11701-25T11	flange 连接凸缘	1			M11700-15T11
3	00893-2000A	Snap ring 挡圈20	8		GB893.1-86	M11700-15T11
4	05785-0820A	Bolt M8×1.0×20 螺栓M8×1.0×20	4			M11700-15T11
5	00093-0801A	shim 垫圈8	12			M11700-15T11
6	M11702-15T11	flange 连接凸缘(前)	1			M11700-15T11
7	05781-00835	Bolt 螺栓M8×35	4			M11700-15T11
8	06170-0800A	Nut 螺母M8	8			M11700-15T11
9	05781-00825	Bolt 螺栓M8×25	4			M11700-15T11
10	M11705-15T11	flange 齿轮泵连接盘	1			M11700-15T11
11	M11706-15T11	flange 连接凸缘(后)	2			M11700-15T11

万向传动轴(Mazda F2.0)

图38-2

Shaft - Hydraulic pump

Fig 38-2



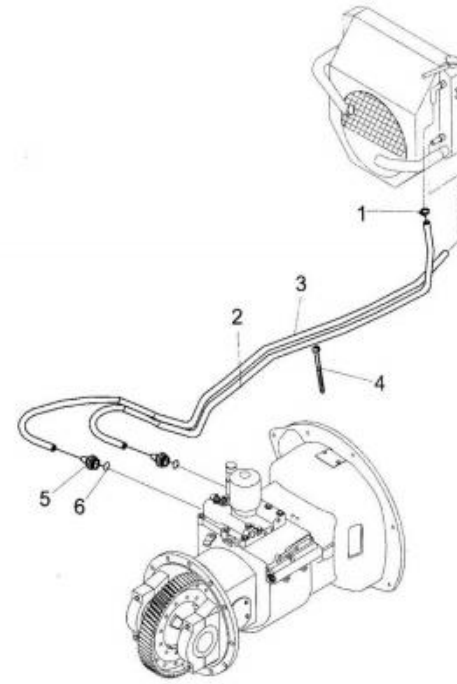
序号	零件编号	零部件名称	数量	备注	供方零件号	备注2
Item No	Part No	Description	QTY	Remark	Supplier Part No	Remark2
1	690A1-30T11	Clip 双钢丝卡箍φ13-19	4			
2	690A2-15T11	Hose,cooling 油冷却胶管	1			
	M690A2-15T11	Hose,cooling 油冷却胶管	1			
3	690A3-15T11	Hose,cooling 油冷却胶管	1			
	M690A3-15T11	Hose,cooling 油冷却胶管	1			
4	690A4-30T11	Band 捆扎带ZD200x8	2			
5	690A5-30T11	Connector 直通接头	2			
6	690A6-30T11	Seal 组合密封垫圈 14	2			

变矩器油冷却系统

图39

TOR-CON OIL COOLING SYSTEM

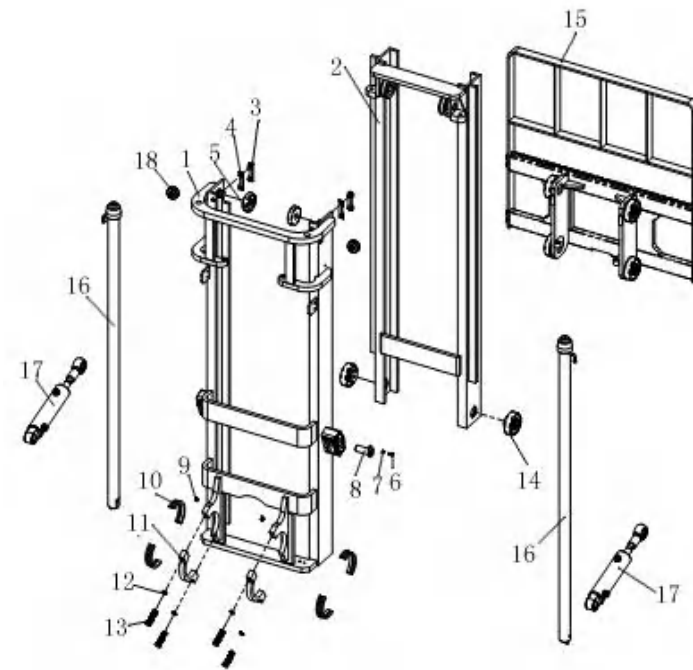
Fig 39



序号	零件编号	零部件名称	数量	备注	供方零件号	备注2
Item No	Part No	Description	QTY	Remark	Supplier Part No	Remark2
1	59100-15T01	Mast,outer	1			
	110000-15TS01	Mast,outer	1	扇形板驱动桥		
2	59200-15T01	Mast,inner	1			
3	58A03-30T11	Plate,guide	2			
4	58A04-30T01	Shim, adjusting	2			
5	59117-15T11	Roller	2		180706KT	
6	05782-0820A	Bolt	2			
7	00093-0801A	Washer	2			
8	58A08-15T02	Pin axle	2			
9	01153-1045L	Cup	2			
10	58A03-15T11	Bushing	4			
11	58A02-15T01	Cap,bearing	2			
12	00093-1601A	Shim	4			
13	05785-1470A	Bolt	4			
14	59A00-15T11	Roller	2			
15	59500-15T01	Carriage ass'y	1			
16	58300-15T11	Lift cylinder	2			
	58300-15330	Lift cylinder	2			
	58300-15400	Lift cylinder	2			
17	586A0-15T11	Tilt cylinder	2			
18	59120-30T11	side roller	2		CN-4	

门架 (2W)
图40

MAST (2W)
Fig 40



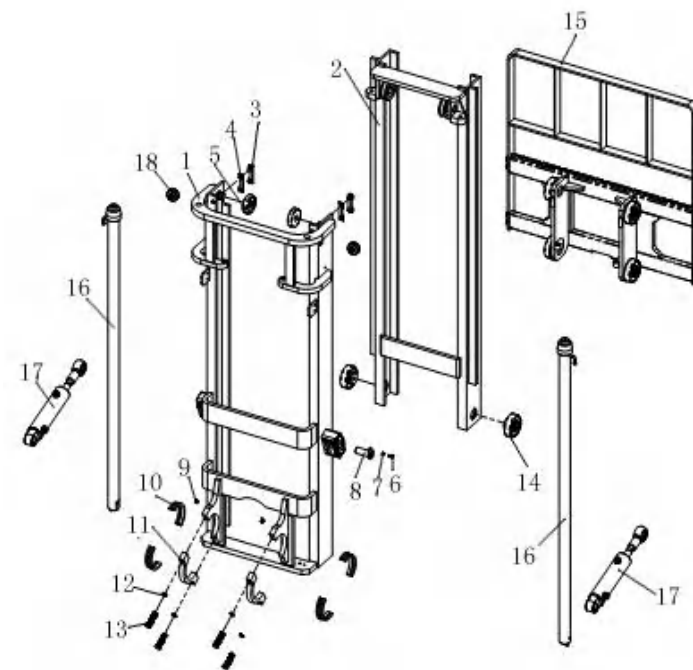
序号 Item No	零件编号 Part No	零部件名称 Description	数量 QTY	备注 Remark	供方零件号 Supplier Part No	备注2 Remark2
		门架（2W）高度系列 Mast(2W) Series				
	58A00-15T01	MAST ASSY 门架总成	1	2W300		
	15-2W330-58A00	MAST ASSY 门架总成	1	2W330		
	18-2W330-58A00	MAST ASSY 门架总成	1	2W330		
	15-2W400-58A00	MAST ASSY 门架总成	1	2W400		
	18-2W400-58A00	MAST ASSY 门架总成	1	2W400		

门架（2W）

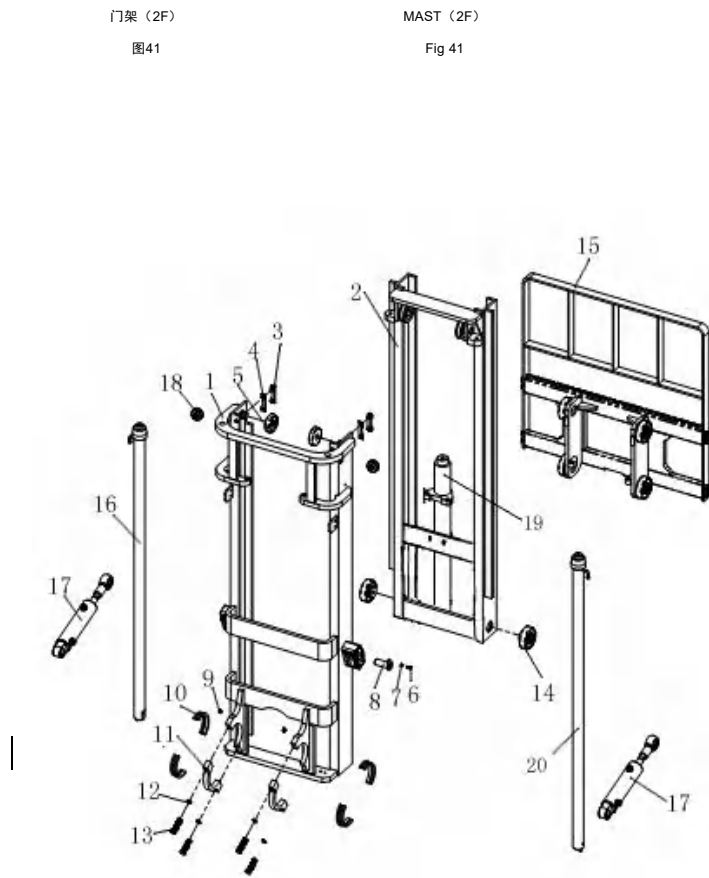
图40

MAST（2W）

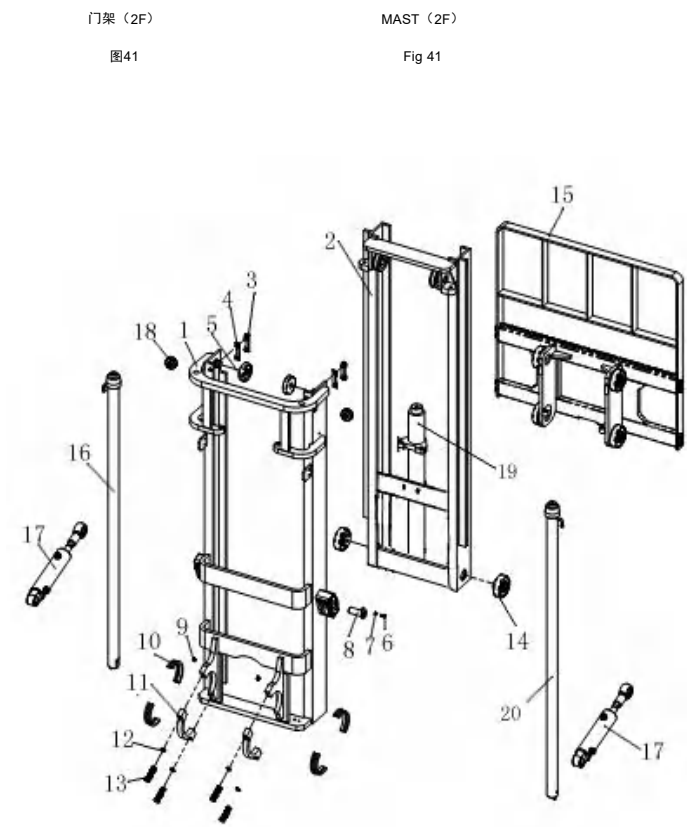
Fig 40



序号	零件编号	零部件名称	数量	备注	供方零件号	备注2
Item No	Part No	Description	QTY	Remark	Supplier Part No	Remark2
1	5F100-15T01	Mast,outer	1			
	11F000-15TS01	Mast,outer	1	扇形板驱动桥		
2	5F200-15T01	Mast,inner	1			
3	58A03-30T11	Plate,guide	2			
4	58A04-30T01	Shim, adjusting	2			
5	59117-15T11	Roller	2		180706KT	
6	05782-0820A	Bolt	2			
7	00093-0801A	Washer	2			
8	58A08-15T02	Pin axle	2			
9	01153-1045L	Cup	2			
10	58A03-15T11	Bushing	4			
11	58A02-15T01	Cap,bearing	2			
12	00093-1601A	Shim	4			
13	05785-1470A	Bolt	4			
14	59A00-15T11	Roller	2			
15	59500-15T01	Carriage ass'y	1			
16	5F300-15T11	Lift cylinder	1	2F300		
	5F300-15330	Lift cylinder,left	1	2F330		
	5F300-15360	Lift cylinder,left	1	2F360		
17	58600-15T11	Tilt cylinder	2			
18	59120-30T11	side roller	2		CN-4	
19	5F700-15430	free lift cyl.	1	2F300		
	5F700-15480	free lift cyl.	1	2F330		
	5F700-15360	free lift cyl.	1	2F360		
20	5F400-15T11	Lift cylinder,left	1	2F300		
	5F400-15330	Lift cylinder,left	1	2F330		
	5F400-15360	Lift cylinder,left	1	2F360		



序号 Item No	零件编号 Part No	零部件名称 Description	数量 QTY	备注 Remark	供方零件号 Supplier Part No	备注2 Remark2
门架（2F）高度系列 Mast(2F) Series						
	5F000-15T01	Mast Ass'y	1			
	2F330-5F000	Mast Ass'y	1			
	2F350-5F000	Mast Ass'y	1			



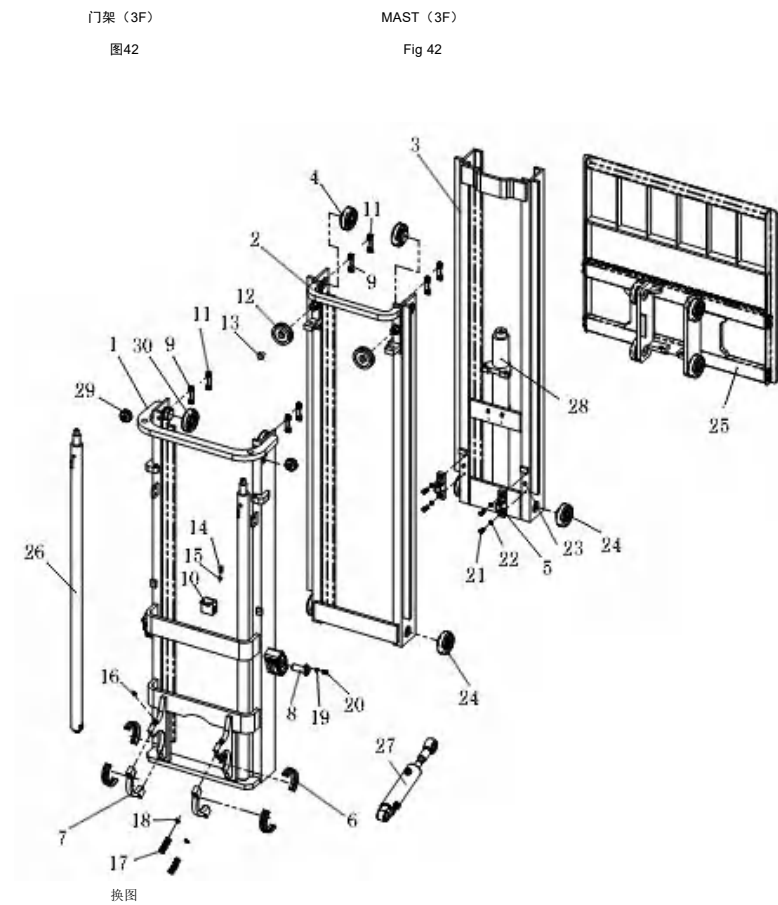
门架（2F）

图41

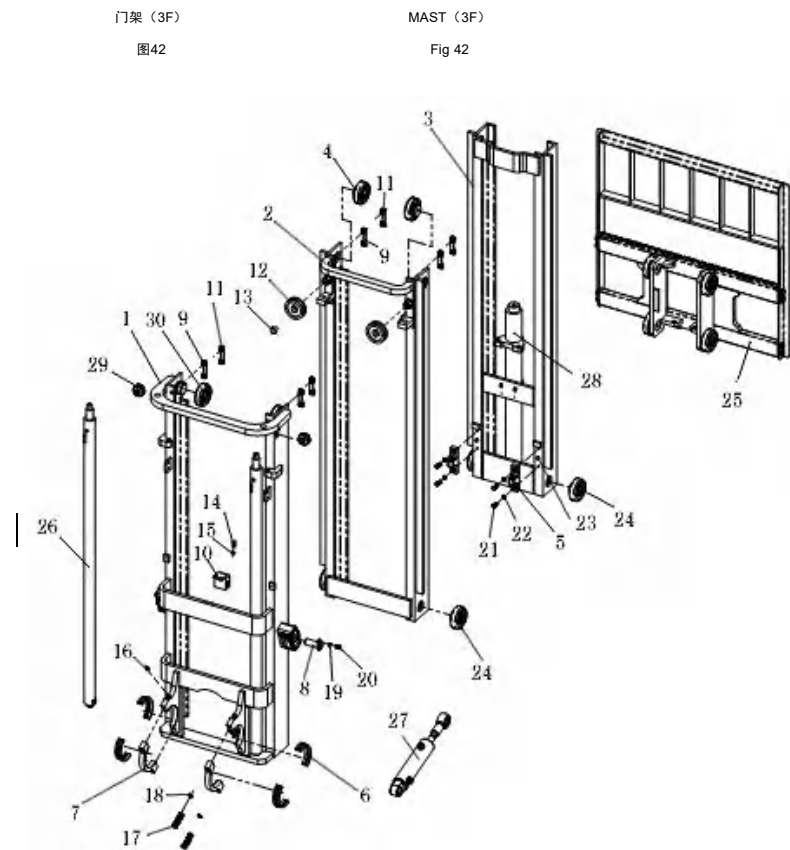
MAST（2F）

Fig 41

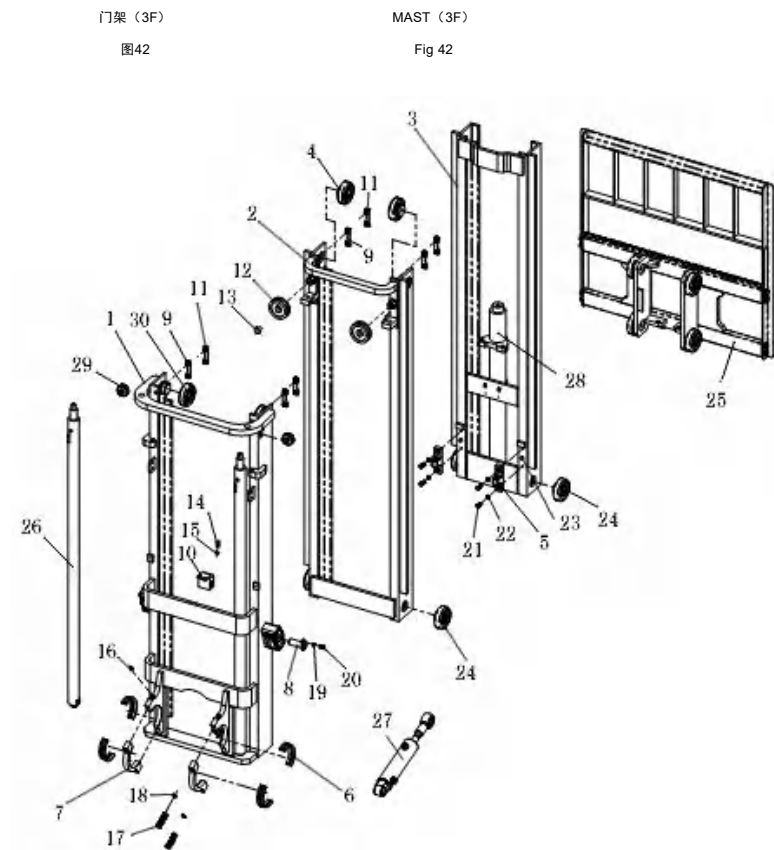
序号	零件编号	零部件名称	数量	备注	供方零件号	备注2
Item No	Part No	Description	QTY	Remark	Supplier Part No	Remark2
1	57S00-15T01	Mast,outer	1			
	11S000-15TS01	Mast,outer	1	扇形板驱动桥		
2	56S00-15T01	Mast,middle	1			
3	55S00-15T01	Mast,inner	1			
4	59A00-15T11	Roller	2			
5	55S01-15T01	Cup,chain	2			
6	58A03-15T11	Bushing	4			
7	58A02-15T01	Cap,bearing	2			
8	58A08-15T02	Pin,tilt cylinder	2			
9	58A04-30T01	Shim, adjusting	4			
10	57S11-30T01	Three way connector	1		K25S111000	
11	58A03-30T11	Plate,guide	4			
12	59800-15T11	Sheave	2	780307		
13	08942-4000B	Clip	2	卡簧40		
14	05782-0820A	Bolt	2	螺栓M8x20		
15	00093-0801A	Washer	2	垫圈8		
16	01153-1045L	Cup	2	油杯45°		
17	05785-1470A	Bolt	4	螺栓M14x1.5x70		
18	00093-1601A	Shim	4	垫圈14		
19	05782-0820A	Bolt	4	螺栓M8x20		
20	00093-0801A	Washer	4	垫圈8		
21	00070-1030A	Bolt	4	螺钉M10x1.25x25		
22	00093-1001A	Shim	4	垫圈10		
23	00119-1230B	Pin	2	销D12x30		
24	59A00-15T11	Roller	4			
25	54S00-15T01	Carriage ass'y	1			
26	48S00-15T11	Lift cylinder	2	3F450		
	48S00-15430	Lift cylinder	2	3F430		



序号	零件编号	零部件名称	数量	备注	供方零件号	备注2
Item No	Part No	Description	QTY	Remark		Remark2
	48S00-15480	Lift cylinder	2	3F480		
	48S00-15500	Lift cylinder	2	3F500		
	48S00-15550	Lift cylinder	2	3F550		
	48S00-15600	Lift cylinder	2	3F600		
27	58S00-15T11	Tilt cylinder	2	<5500mm		
	58S00-15T12	Tilt cylinder	2	≥5500mm		
28	5F700-15T11	Free lift cylinder	1	3F450		
	5F700-15430	Free lift cylinder	1	3F430		
	5F700-15480	Free lift cylinder	1	3F480		
	5F700-15500	Free lift cylinder	1	3F500		
	5F700-15550	Free lift cylinder	1	3F550		
	5F700-15600	Free lift cylinder	1	3F600		
29	59120-30T11	side roller	2		CN-4	
30	59117-30T11	Roller	2			



序号	零件编号	零部件名称	数量	备注	供方零件号	备注2
Item No	Part No	Description	QTY	Remark	Supplier Part No	Remark2
15-3F430-58S00		门架 (3F) 高度系列 Mast(3F) Series	1	3F430		
58S00-15T01		门架 (3F) 高度系列 Mast(3F) Series	1	3F450		
15-3F480-58S00		门架 (3F) 高度系列 Mast(3F) Series	1	3F480		
15-3F500-58S00		门架 (3F) 高度系列 Mast(3F) Series	1	3F500		
15-3F550-58S00		门架 (3F) 高度系列 Mast(3F) Series	1	3F550		
15-3F600-58S00		门架 (3F) 高度系列 Mast(3F) Series	1	3F600		



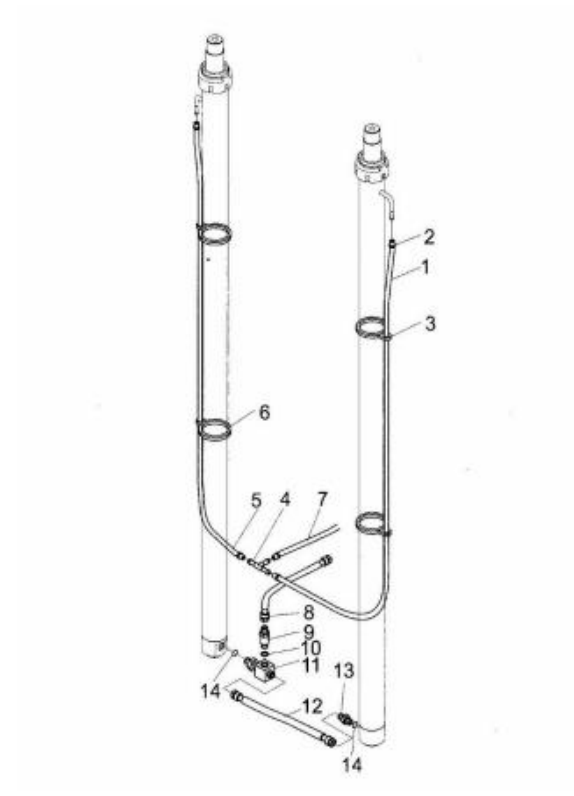
序号	零件编号	零部件名称	数量	备注	供方零件号	备注2
Item No	Part No	Description	QTY	Remark	Supplier Part No	Remark2
1	690B1-15T01	Tube vinyl 塑料回油管	1			
2	690B2-30T01	Clip 夹箍10-16	6			
3	690B3-30T01	Band 回油管管夹片	4			
4	69008-15T01	Three way connector 三通接头	1			
5	690B5-30T01	Tube vinyl 塑料回油管	1			
6	690B6-30T01	Band 回油管管夹片	4			
7	690B7-30T01	Tube vinyl 塑料回油管	1			
8	690B8-15T01	Hose H. P. 高压胶管	1			
9	59900-15T11	Flow regulator 限速阀	1			
10	690B9-30T11	Washer 组合垫圈22	1			
11	59600-30T11	Three way connector 三通接头	1			
12	69D00-15T01	Hose H P 高压胶管	1			
13	58A10-30T11	Through type connector 直通接头	1			
14	01235-22240	O-ring O形密封圈22x2.4	2			

门架管路系统(2W)

图43

HYDRAULIC SYSTEM MAST(2W)

Fig 43



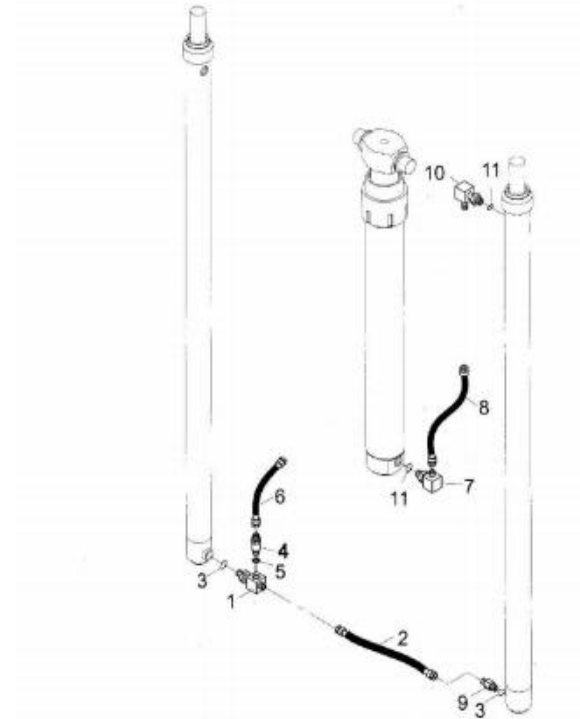
序号	零件编号	零部件名称	数量	备注	供方零件号	备注2
Item No	Part No	Description	QTY	Remark	Supplier Part No	Remark2
1	690B4-30T01	Three way connector 三通接头	1			
2	69D00-15T01	Hose H P 高压胶管	1			
3	01235-20240	O-ring O形密封圈20x2.4	2			
4	59900-15T11	Flow regulator 限速阀	1			
5	690B9-30T11	Washer 组合垫圈22	1			
6	690B8-30T01	Hose H. P. 高压胶管	1			
7	58S14-30T11	Connector 直角接头	1			
8	58F02-15T11	Hose H. P. 油管总成	1	2F300		
9	58A10-30T11	Through type connector 直通接头	1			
10	58S14-30T11	Connector 直角接头	1			
11	01235-22240	O-ring O形密封圈24x2.4	2			

门架管路系统(2F)

图44

HYDRAULIC SYSTEM MAST(2F)

Fig 44

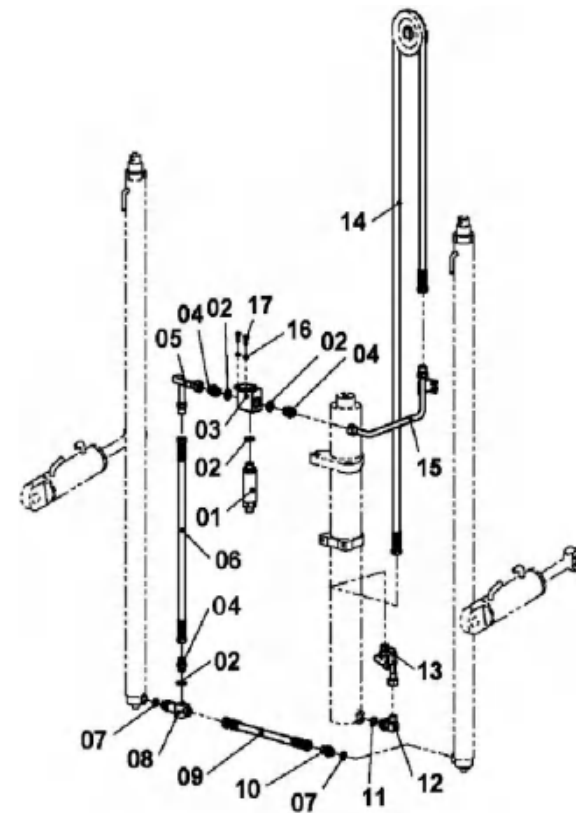


序号	零件编号	零部件名称	数量	备注	供方零件号
Item No	Part No	Description	QTY	Remark	Supplier Part No
1	59900-15T11	Flow regulator 限速阀	1		
2	690B9-30T11	Washer 组合垫圈22	4		
3	57S11-30T01	Three way connector 三通	1		
4	58S05-30T11	Connector 三通下直通接头	3		
5	53S00-15T11	Hydraulic pipe ass'y 提升缸硬管总成	1		
6	58SA1-15T11	Hose,H.P ass'y 短高压胶管总成	1		
7	01235-20240	O-ring O形密封圈20x2.4	2		
8	59600-30T11	Three way connector 三通接头	1		
9	58SA2-15T11	Hose,H.P ass'y 高压胶管总成	1		
10	58A10-30T11	Through type connector 直通接头	1		
11	01235-22265	O-ring O形密封圈22x2.65	2		
12	58S14-30T11	Connector 直角接头总成	1		
13	51S00-15T11	Hydraulic pipe ass'y 中缸硬管总成	1		
14	58SA3-15T11	Hydraulic pipe ass'y 中缸高压胶管	1	3F450	
	58SA3-15430	Hydraulic pipe ass'y 中缸高压胶管	1	3F430	
	58SA3-15480	Hydraulic pipe ass'y 中缸高压胶管	1	3F480	
	58SA3-15500	Hydraulic pipe ass'y 中缸高压胶管	1	3F500	
	58SA3-15550	Hydraulic pipe ass'y 中缸高压胶管	1	3F550	
	58SA3-15600	Hydraulic pipe ass'y 中缸高压胶管	1	3F600	
15	52S00-15T11	Hydraulic pipe ass'y 三通硬管总成	1		
16	00093-0600A	Washer 垫圈8	2		
17	05782-0820A	Bolt 螺栓M8x20	2		

备注2
Remark2

门架管路系统(3F)
图45

HYDRAULIC SYSTEM MAST(3F)
Fig 45

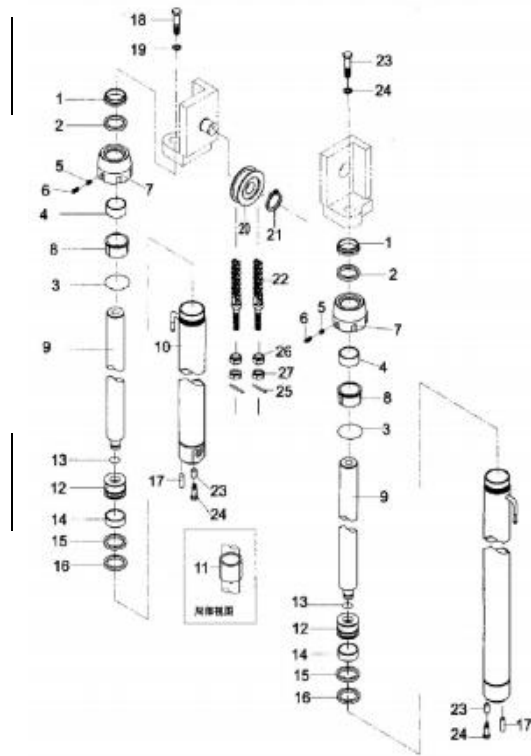


序号	零件编号	零部件名称	数量	备注	供方零件号
Item No	Part No	Description	QTY	Remark	Supplier Part No
A	58300-15T11	Lift cylinder (Inc.01-17)	2		24495-42271
1	58301-15T11	Seal 防尘圈	2	☆	23650-83581
2	58302-15T11	Packing 密封圈	2	☆	D28B8-42611
3	01235-48265	O-ring O型圈47.5×2.65	2	☆	23918-52161
4	58303-15T11	Bushing 钢背轴承3630	4		Z6053-05562
5	00091-3220B	Plug 塞子	2		
6	00078-0808A	Screw 螺钉M8×8	2		Z2113-04530
7	58305-15T11	Cap 导向套	2		Z2113-04030
8	58306-15T11	Sleeve 衬套	2		E30CD140002
9	58307-15T11	Cylinder 缸筒体	2		
10	58308-15T11	Rod 活塞杆	1		
11	58309-15T11	Spacer 调整套	2		
12	58310-15T11	Piston 活塞	2		D20B8-49051B
13	58311-15T11	Snap ring 钢丝挡圈	2		D20B8-49051B
14	58312-15T11	Wearing 支承环	2	☆	GCQ056DJ.1-00
15	58313-15T11	Snap ring 挡片	2	☆	GCQ050DJ.1-00
16	58314-15T11	U-ring U型密封圈	2	☆	GCQ056DJ-01
17	00119-1026B	Pin 销D10×26	2		GCQ050DJ-01
18	05786-1450A	Bolt 螺栓M14×1.5×50	2		HRD20A8405/ D28A8-43131
19	00093-1400A	Washer,lock 垫圈14	2		GCQ050DJ-02
20	59800-15T11	Sheave 链轮	2		D28B8-42411B
21	08941-4000A	Snap ring 弹性挡圈40	2		D20B8-42371B
22	58500-15T11	Chain(Inc.33-35) 链条总成LH1223(包含33-	2		D20B8-42381
23	58315-30T11	Sleeve 隔套	2		27978-42421
24	05786-1225A	Bolt 螺栓M12×1.25×25	4		

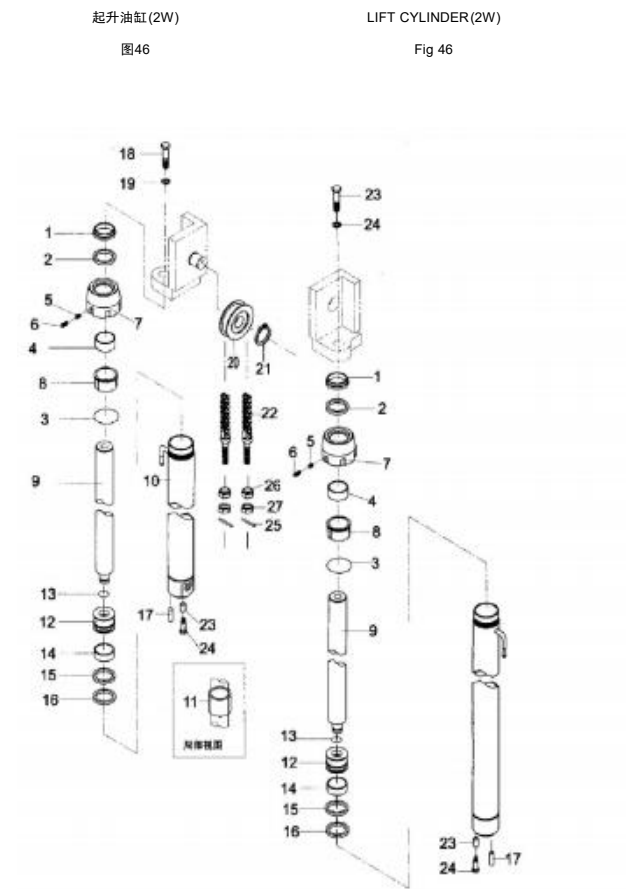
备注2
Remark2

起升油缸(2W)
图46

LIFT CYLINDER(2W)
Fig 46



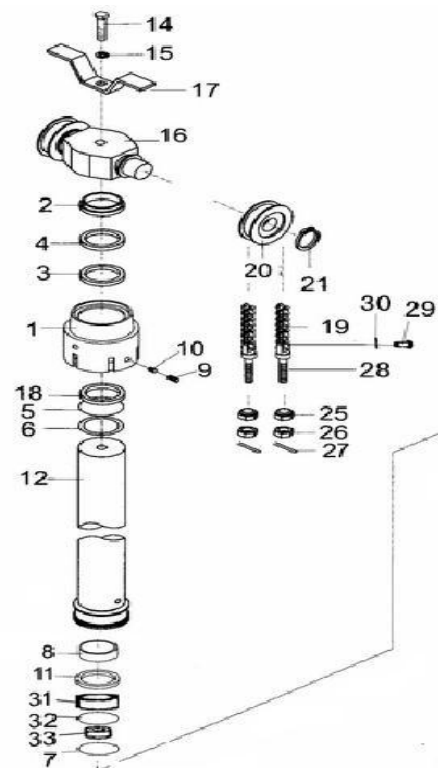
序号	零件编号	零部件名称	数量	备注	供方零件号	备注2
Item No	Part No	Description	QTY	Remark	Supplier Part No	Remark2
25	00119-0330B	Pin	4		24459-42291	
26	58317-15T11	Nut	4		23650-83531	
27	06171-1400A	Nut	4		24468-42001	
	58300-15T11-KIT	seal kit	1	all*parts	23650-83521	



序号	零件编号	零部件名称	数量	备注	供方零件号	备注2
Item No	Part No	Description	QTY	Remark	Supplier Part No	Remark2
1	49S01-15T11	Cap 导向套	1		GCQ085JC-02	
2	49S02-15T11	Dust ring 防尘圈55x65x8/6.5	1	☆	ME-3-60	
3	49S08-15T11	密封圈55x65x6	1	☆	27970-82521	
4	49S04-15T11	Snap ring 挡片55X65X3	1		B6052-00012	
5	01235-10031	O-ring seal O形圈74.4x3.1	1	☆	Z6053-08443	
6	49S05-15T11	Snap ring 挡圈	1		B6052-00022	
7	49S018-15T11	O-ring seal O型密封圈d15.8*2.4	1	☆	GN1766FO	
8	49S07-15T11	Wearing 支承环D75x20x2.5	1	☆	22518-45141	
9	00071-0610A	Screw 螺钉M5x5	1		B8032-05005	
10	49S12-30T11	Shim 垫片	1		Q70B0-82141	
11	49S03-15T11	washer 组合密封圈70X56X6.3	1	☆	FU0977H0	
12	49S13-15T11	Piston rod ass'y 柱塞杆总成	1		GCQ85JC-01&GCQ085H GCQ085JC.1-00	
13	49S14-15T11	Cylinder body (front) 缸体	1			
14	05785-1660A	Bolt 螺栓M16x1.5x60	1			
15	00093-1600A	Washer, lock 垫圈16	1			
16	58S04-15T01	Sheave seat 链轮轴	1			
17	58S21-30T01	Stopper, chain 护链板	1			
18	49S09-15T11	Bushing 钢背轴承5040	1		Z2114-06035	
19	52S00-15T01	Chain ass'y 链条总成	2			
20	59800-15T11	Sheave 链轮	2		780708K1S	
21	08941-4000A	Snap ring 挡圈40	2		GCQ085HST-001 GCQ085HST-04	
22	49S10-15T11	Spool 阀芯	1			
23	49S11-15T11	Spring 弹簧	1			
24	49S15-15T11	Seat, spring 弹簧座	1			
25	58317-15T11	Nut 球面螺母	4			
26	06171-1415A	Nut 螺母M14x1.5	4			
27	00091-0330A	Pin 开口销3x30	4			
28	58501-15T01	Chain connector 链条接头	4			

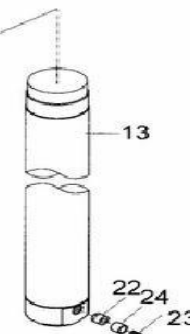
自由起升油缸(2F/3F)

图47



FREE LIFT CYLINDER(2F/3F)

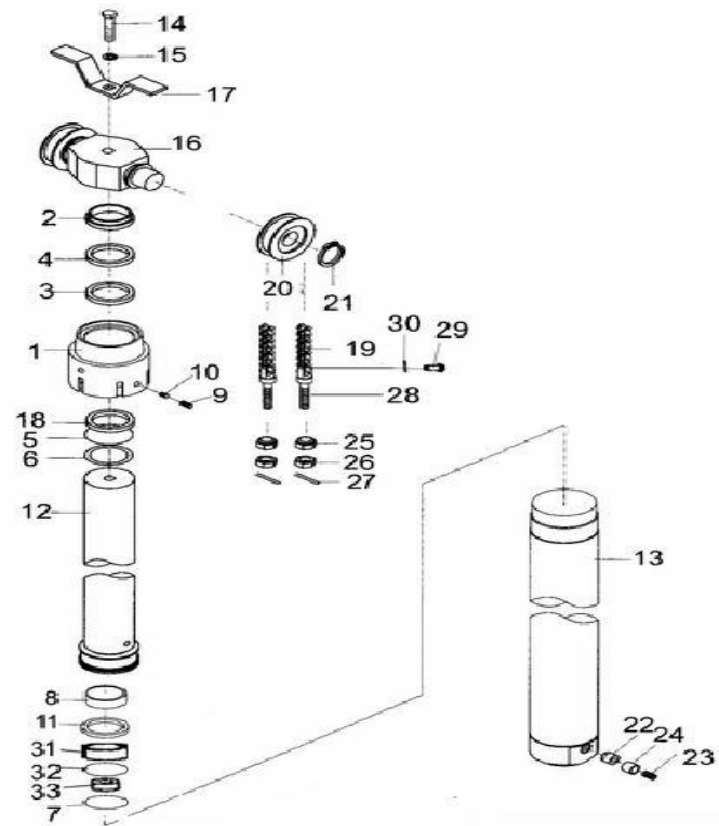
Fig 47



序号	零件编号	零部件名称	数量	备注	供方零件号	备注2
Item No	Part No	Description	QTY	Remark	Supplier Part No	Remark2
29	58502-15T01	Pin 销轴	4			
30	00091-3220A	Pin 开口销3.2x20	4			
31	49S015-15T11	Bonnet 阀体	1			
32	49S016-15T11	washer 钢丝挡圈	1	☆		
33	49S017-15T11	Spool 阀芯	1			
	49S00-15T11-KIT	Kit for free lift cyl. 自由起升油缸修理包	1	All☆Parts	Z6053-07753	

自由起升油缸(2F/3F)

图47



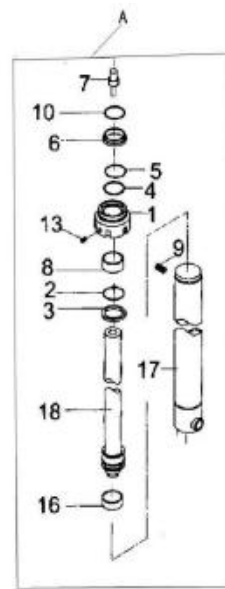
FREE LIFT CYLINDER(2F/3F)

Fig 47

序号	零件编号	零部件名称	数量	备注	供方零件号	备注2
Item No	Part No	Description	QTY	Remark	Supplier Part No	Remark2
1	5F301-15T11	Cap, cylinder 缸盖	2		GCQ050HST2-02A	
2	01235-55310	O-ring seal O形圈55x3.1	2	☆	Z6003-06003	
3	5F302-15T11	Snap ring 钢丝挡圈18	2		B6352-00018	
4	5F303-15T11	Yx-ring seal Yx密封圈32x42x6	2	☆	23918-52161	
5	5F304-15T11	Snap ring 挡圈32x42x3	2		23650-83531	
6	5F305-15T11	Dust ring LNB防尘圈32x40x5/6.5	2	☆	23650-83581	
7	5F401-15T11	Joint rod 连接杆	1		GCQ050DJ2-01	
8	5F306-15T11	Bushing 钢背轴承3230	2		Z2116-04030	
9	00080-0608A	Screw 螺钉M6x8	4		B1830-06008	
10	01235-26240	O-ring seal O形圈26x2.4	1	☆	Z6003-02602	
11	5F307-15T11	Spool 阀芯	1			
12	5F308-15T11	Spring 弹簧	1		GCQ050HST2-06	
13	5F309-15T11	Plug 螺塞Z1/8"	2		Q/ZB223.1	
14	5F314-15T11	Cylinder body (R) 缸体(右)	1			
15	5F313-15T11	Piston rod ass'y -R 右柱塞杆总成	1			
16	5F311-15T11	Wearing 支承环50x45x15	2	☆	GCQ050HST2-08	
17	5F312-15T11	Cylinder body (L) 缸体(左)	1			
18	5F402-15T11	Piston rod ass'y (L) 左柱塞杆总成	1			
	5F300-15T11-KIT	Kit for lift cyl. 起升油缸修理包	1	All☆Parts		

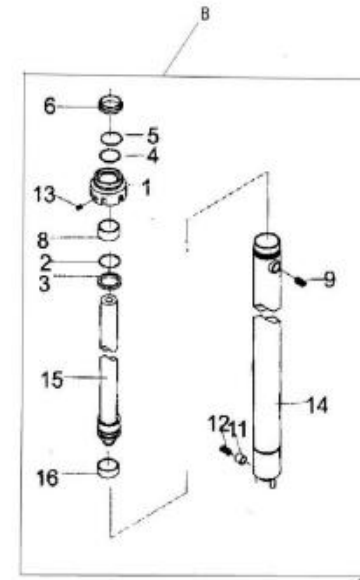
起升油缸 (2F)

图48



LIFT CYLINDER (2F)

Fig 48

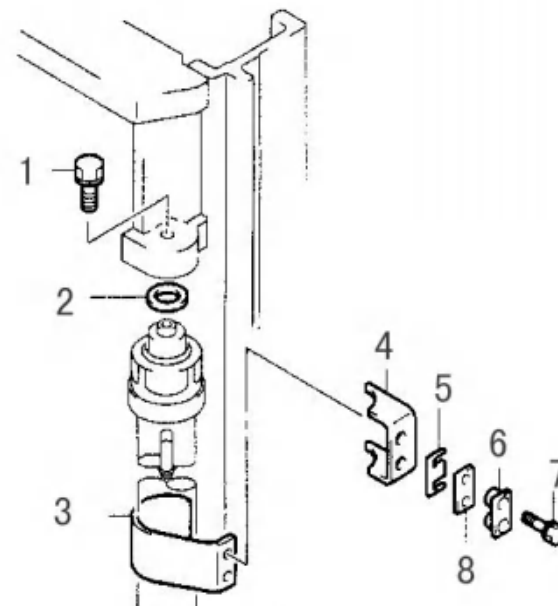


序号	零件编号	零部件名称	数量	备注	供方零件号
Item No	Part No	Description	QTY	Remark	Supplier Part No
1	05786-1050B	Bolt	2		
2	58A14-15T01	Spacer	2组		
3	58200-15T01	Support ,cylinder	2		
4	58A05-15T01	Support	2		
5	58A12-30T01	Shim	2组		
6	58A06-30T01	Spacer	2		
7	05783-1035B	Bolt	4		
8	58A13-30T01	Cushion	2		

备注2
Remark2

起升油缸安装
图49

LIFT CYLINDER MOUNT
Fig 49



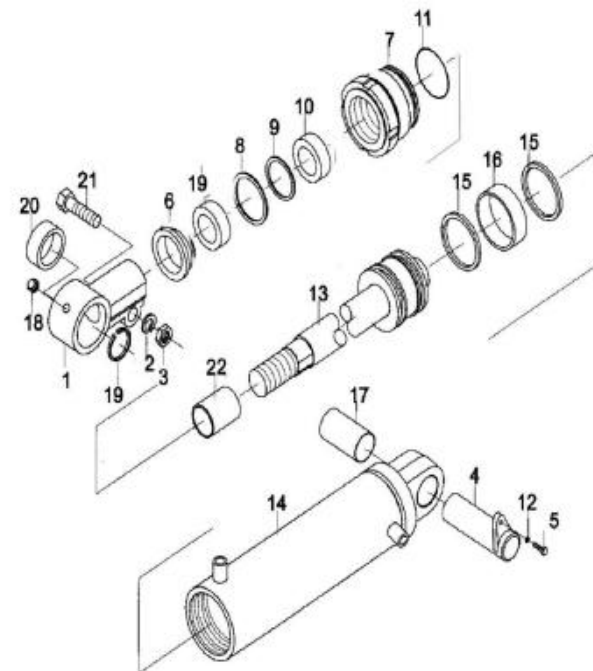
序号	零件编号	零部件名称	数量	备注	供方零件号	备注2
Item No	Part No	Description	QTY	Remark	Supplier Part No	Remark2
1	58603-15T11	Ear ring	2		HRD61F8502	
2	00093-1400A	washer	2		B5050-00014	
3	06171-1415A	nut	2		B4123-00014	
4	50600-15T02	Pin	2			
5	05783-0820A	Bolt	2			
6	58606-15T11	washer	2		24248-52341	
7	58602-15T11	Guide Sleeve	2		D1088-52051	
8	58607-15T11	Snap ring	2	☆	24248-52351	
9	58605-15T11	Shim	2	☆	24248-52331	
10	58609-15T11	Yx-ring	2	☆	24248-52321	
11	58A11-15T11	O-ring	2	☆	Z6003-06303	
12	00093-0800A	washer	2			
13	58601-15T11	Body,piston ass'y	2		X063DJ.1	
14	58610-15T11	Tube,cylinder ass'y	2		X063DJ.2	
15	58613-15T11	U-ring	4	☆	22439-43711	
16	58604-15T11	spacer	2	☆	24248-52251	
17	58615-15T11	Bushing	2		Z2123-03038	
18	58601-30T11	Grease	2		Q700B01	
19	08931-4700A	Snap ring	4		B6052-00047	
20	58618-15T11	Bushing	2		Z2123-03025	
21	05786-1455A	Bolt	2		B0223-14055	
22	58608-15T11	Bushing	2		Z2123-03025	
	58600-15T11-KIT	Kit for tilt cyl.	1	All ☆ Parts		

倾斜油缸 (2W/2F)

图50

TILT CYLINDER (2W/2F)

Fig 50



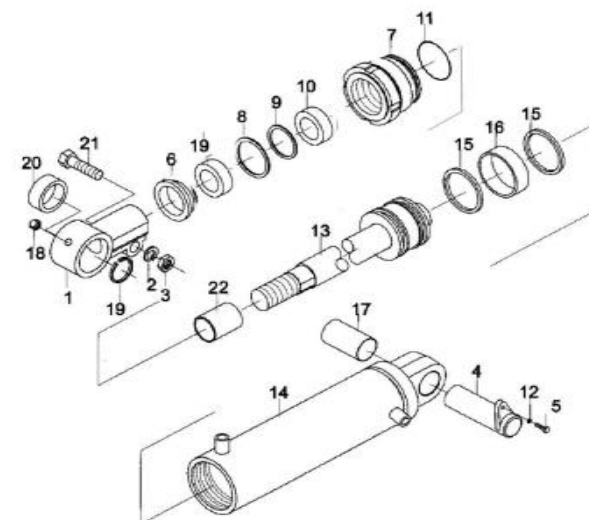
序号	零件编号	零部件名称	数量	备注	供方零件号	备注2
Item No	Part No	Description	QTY	Remark	Supplier Part No	Remark2
1	58603-15T11	Ear ring 耳环	2		HRD61F8502	
2	00093-1400A	washer 垫圈	2		B5050-00014	
3	06171-1415A	nut 螺母M14	2		B4123-00014	
4	50600-15T02	Pin 倾斜油缸销轴	2			
5	05783-0820A	Bolt 螺栓M8×20	2			
6	58606-15T11	washer 防尘圈47*30*7	2		24248-52341	
7	58602-15T11	Guide Sleeve 导向套	2		D10B8-52051	
8	58607-15T11	Snap ring 挡圈	2	☆	24248-52351	
9	58605-15T11	Shim 挡片30*43*3	2	☆	24248-52331	
10	58609-15T11	Yx-ring U型密封圈30*43*10	2	☆	24248-52321	
11	58A11-15T11	O-ring O型密封圈63*3.1	2	☆	Z6003-06303	
12	00093-0800A	washer 垫圈8	2			
13	58S01-15T11	Body,piston ass'y 活塞体	2		X063DJ.1	
14	58S02-15T11	Tube,cylinder ass'y 缸筒总成	2		X063DJ.2	
15	58613-15T11	U-ring U型密封圈63*53*6	4	☆	22439-43711	
16	58604-15T11	spacer 支承环	2	☆	24248-52251	
17	58615-15T11	Bushing 钢背轴承3038	2		Z2123-03038	
18	58601-30T11	Grease 直通式滑脂嘴	2		Q700B01	
19	08931-4700A	Snap ring 挡圈47	4		B6052-00047	
20	58618-15T11	Bushing 关节轴承GE30ES	2		Z2123-03025	
21	05786-1455A	Bolt 螺栓M14×55	2		B0223-14055	
22	58608-15T11	Bushing 钢背轴承3025	2		Z2123-03025	
	53S00-30T11-KIT	Kit for tilt cyl. 倾斜油缸修理包	1	All ☆Parts		

倾斜油缸 (3F)

图51

TILT CYLINDER (3F)

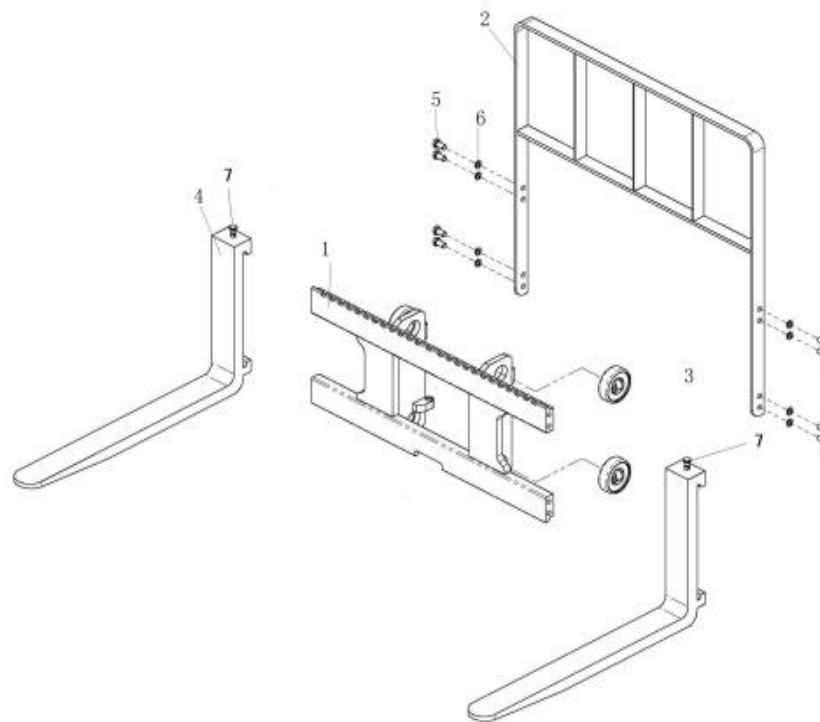
Fig 51



序号	零件编号	零部件名称	数量	备注	供方零件号	备注2
Item No	Part No	Description	QTY	Remark	Supplier Part No	Remark2
1	59600-15T01	Carriage 货叉架	1			
2	59700-15T01	Backrest 挡货架	1			
3	59A00-15T11	Roller 滚轮	4		760211AT	
4	58A01-15T11	Fork&lock pin 货叉总成	2			L=920
5	05782-1430B	Bolt 螺栓M14x30	8			
6	00093-1401A	Washer 垫圈14	8			
7	59121-25T11	Pin lock 货叉销	2			

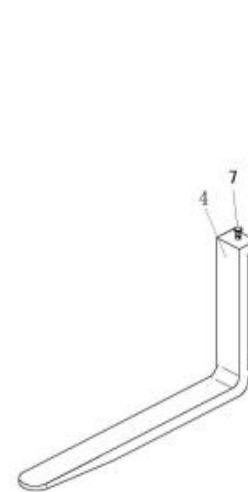
滑架 (2W)
图52

LIFT CARRIAGE (2W)
Fig 52

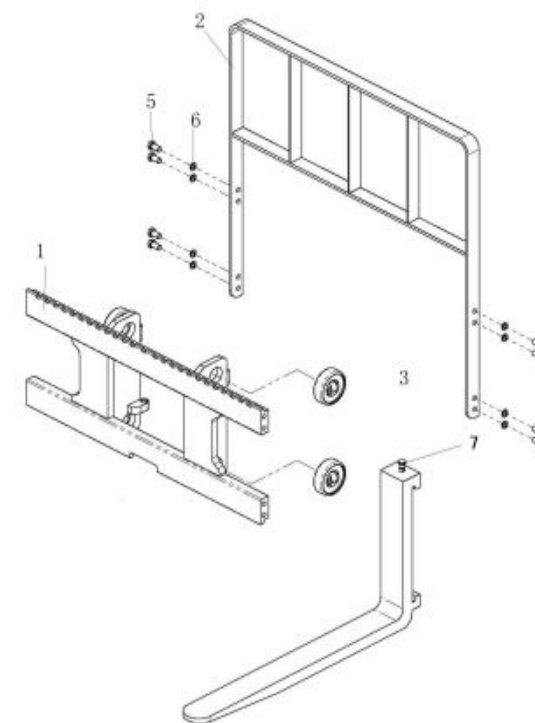


序号	零件编号	零部件名称	数量	备注	供方零件号	备注2
Item No	Part No	Description	QTY	Remark	Supplier Part NO	Remark2
1	5F5A0-15T01	Carriage 货叉架	1			
2	59700-15T01	Backrest 挡货架	1			
3	59A00-15T11	Roller 滚轮	4		760211AT	
4	58A01-15T11	Fork&lock pin 货叉总成	2			L=920
5	05782-1430B	Bolt 螺栓M14x30	8			
6	00093-1401A	Washer 垫圈14	8			
7	59121-25T11	Pin lock 货叉销	2			

滑架 (2F)
图53

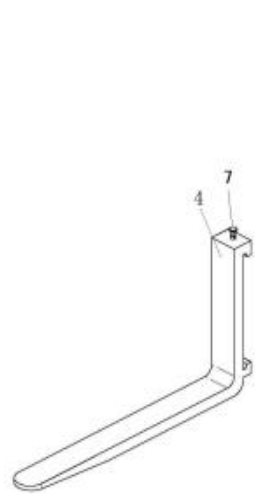


LIFT CARRIAGE (2F)
Fig 53

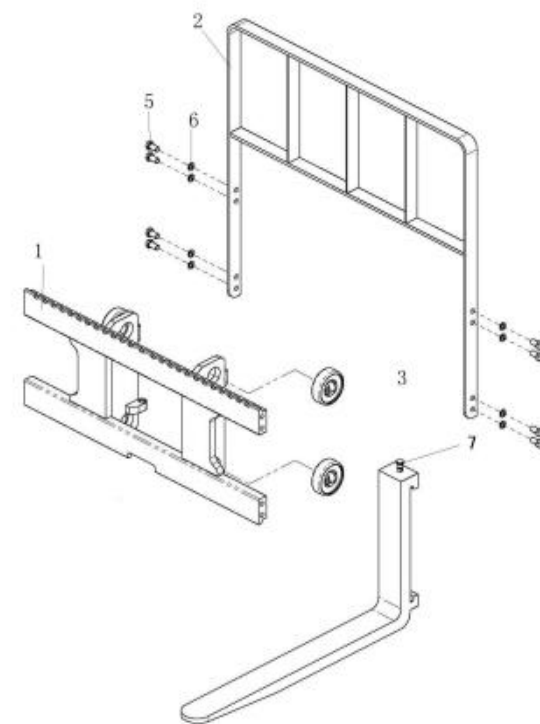


序号	零件编号	零部件名称	数量	备注	供方零件号	备注2
Item No	Part No	Description	QTY	Remark	Supplier Part No	Remark2
1	54SA0-15T01	Carriage 货叉架	1			
2	59700-15T01	Backrest 挡货架	1			
3	59A00-15T11	Roller 滚轮	4		760211AT	
4	59400-15T11	Fork&lock pin 货叉总成	2			L=970
5	05782-1430B	Bolt 螺栓M14x30	8			
6	00093-1401A	Washer 垫圈14	8			
7	59121-25T11	Pin lock 货叉销	2			

滑架 (3F)
图54



LIFT CARRIAGE (3F)
Fig 54



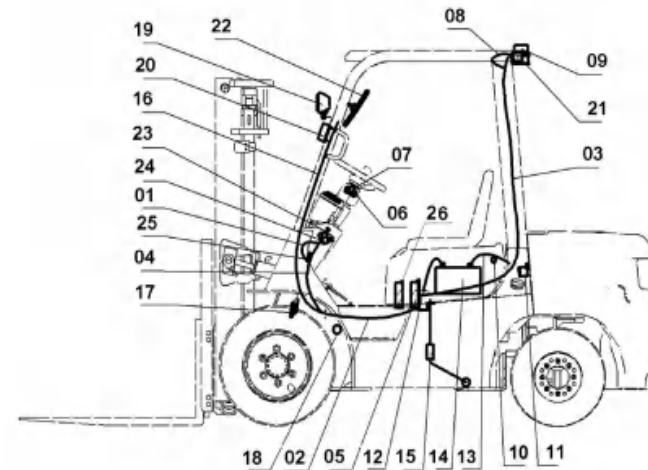
序号	图号	零部件名称	数量	备注	供方零件号	备注2
Item No	Part No	Description	QTY	Remark	Supplier Part No	Remark2
A	24000-30T11	Harness ass'y 线束总成	1	All☆Parts		4TNE92
	M24000-30T11	Harness ass'y 线束总成	1	All☆Parts		F2.2
1	24001-30T11	Cabinet harness 仪表架线束	1	☆		24000-30T11,M24000-30T11
2	24002-15T11	Engine harness 发动机线束	1	☆4TNE92		24000-30T11
	M24002-15T11	Engine harness 发动机线束	1	☆F2.2		M24000-30T11
3	24003-30T13	Rear light harness 后灯线束	1	☆		24000-30T11,M24000-30T11
4	24800-30T11	Combination 仪表总成	1			
4	248A0-30T11	Combination 仪表总成	1	08152015-		
5	73715-30T11	Control box 中央控制盒	1			
6	24004-30T13	Switch,direction 方向组合开关	1			
7	24005-30T13	Switch,light 灯光组合开关	1			
8	24009-30T13	Cable,caution light 警示灯线束	1	☆选用件		24000-30T11,M24000-30T11
9	73712-30T11	Caution light 频闪警灯	1	选用件		
10	Y73716-25T11	Water temp sending unit 水温感应器	1			4TNE92
	M73716-25T11	Water temp sending unit 水温感应器	1			F2.2
11	73722-30T11	Buzzer 蜂鸣器	1			
12	Y24010-25T13	Cable 电瓶线(+)	1			
13	24011-30T13	Cable 电瓶线(-)	1			
14	173A1-30T11	Battery 蓄电池	1			
15	173A0-15T11	Fuel level sending unit 燃油传感器	1			
16	173A2-30T11	Cable,head lamp 前大灯线束	2	☆		24000-30T11,M24000-30T11
17	73721-30T11	Horn 喇叭	1			
18	73719-30T11	Oil temp sending unit 油温感应塞RC1/2	1			

电气系统

ELECTRIC SYSTEM

图55

Fig 55



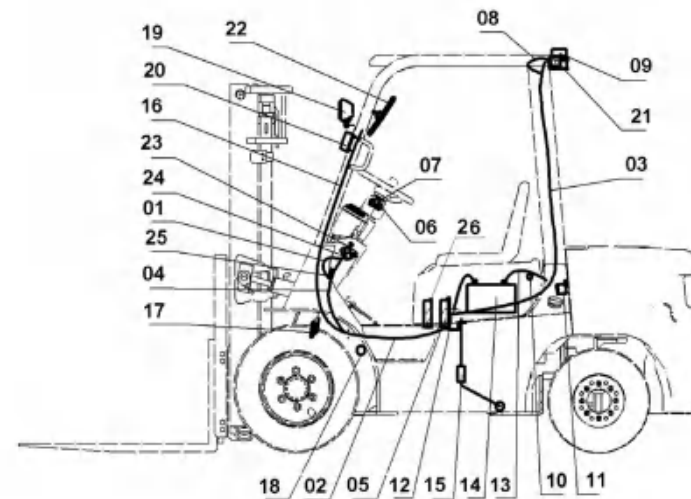
序号	图号	零部件名称	数量	备注	供方零件号	备注2
Item No	Part No	Description	QTY	Remark	Supplier Part No	Remark2
19	73713-30T11	Head lamp ass'y 前照灯	2			
20	73714-30T11	Head lamp 前小灯	2			
21	73710-30T11	Combination lamp 三色后组合灯	2			
22	73707-15T11	Rearview mirror 小号反光镜	2			
23	73723-30T11	Switch,caution light 警灯开关	1			
24	73724-30T11	Switch 点火开关	1			
25	73725-30T11	Brake switch 脚制动开关	1			
26	73737-15T11	start coil 点火线圈	1	F2		

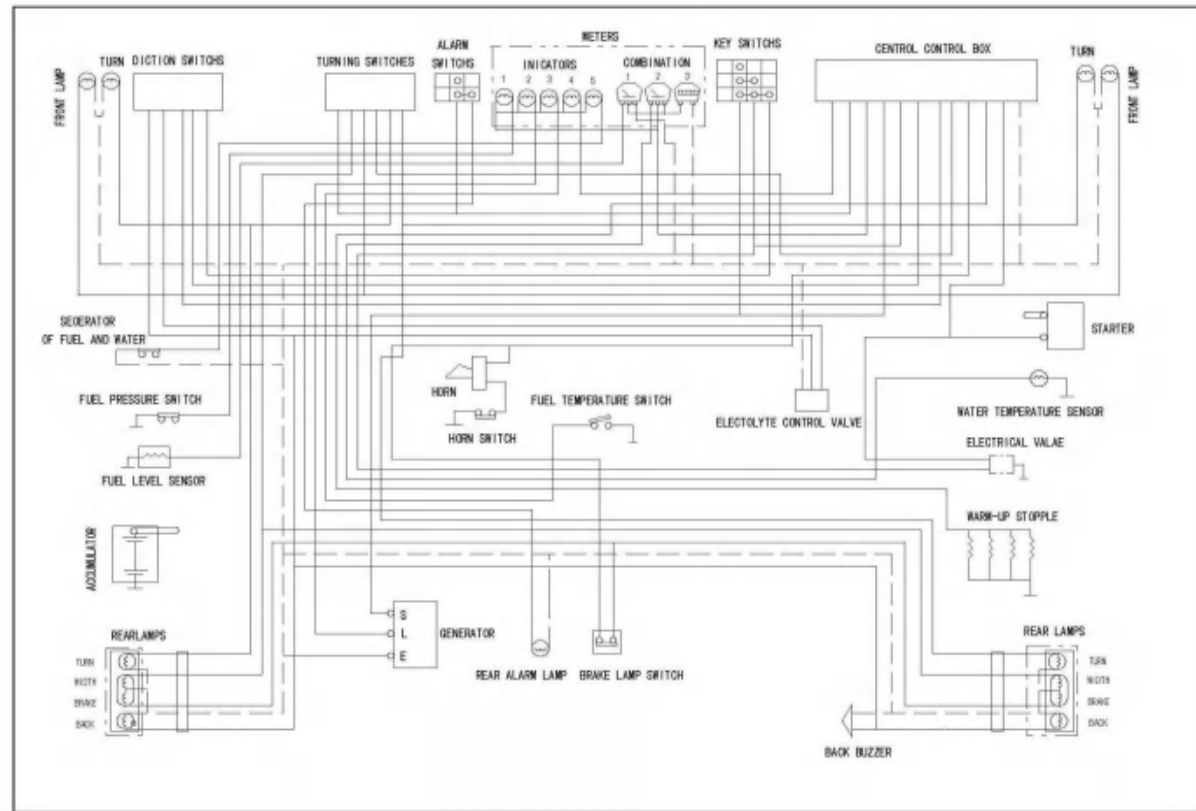
电气系统

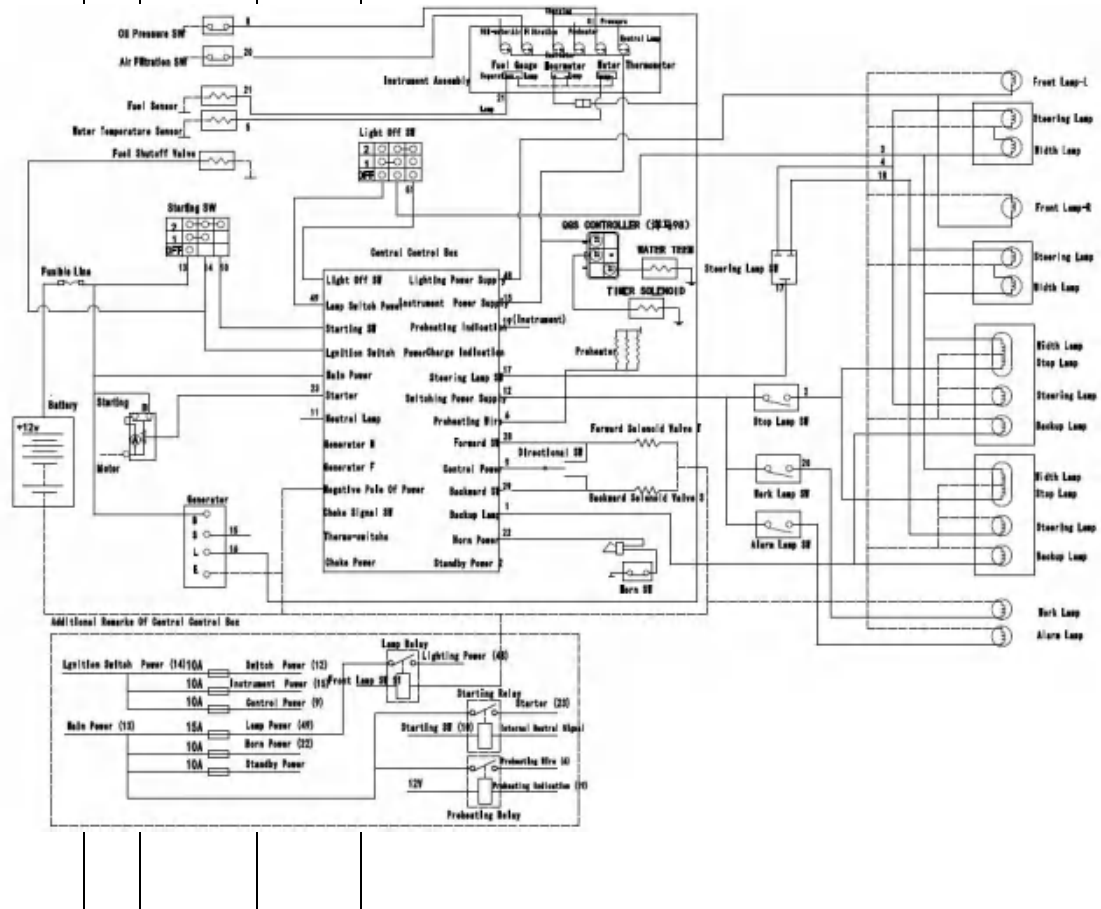
ELECTRIC SYSTEM

图55

Fig 55



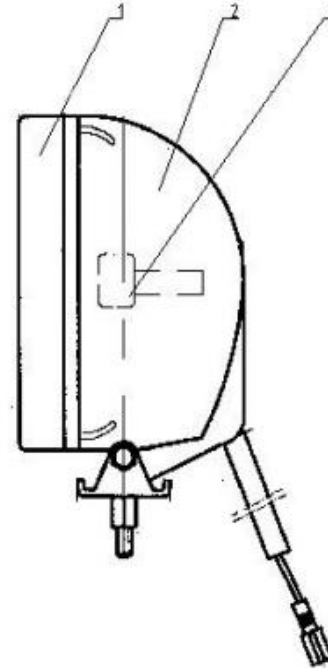




序号	零件编号	零部件名称	数量	备注	供方零件号	备注2
Item No	Part No	Description	QTY	Remark	Supplier Part No	Remark2
1	73736-30T11	Head lamp lens 前照灯罩	2			73727-30T11
2	73726-30T11	Head lamp body 前照灯座	2			73727-30T11
3	73727-30T11	Bulb 前照灯泡	2	12V/55W	H3.12V55	

前照灯
图58

HEAD LAMP ASS'Y
Fig 58



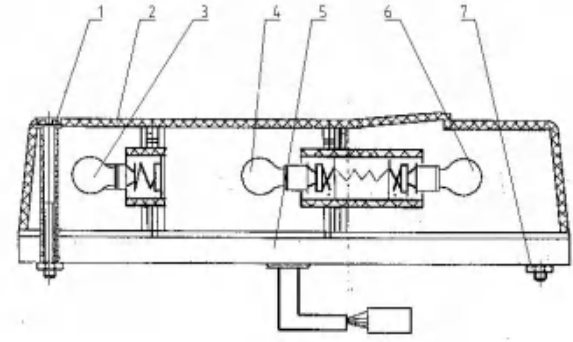
序号	零件编号	零部件名称	数量	备注	供方零件号	备注2
Item No	Part No	Description	QTY	Remark	Supplier Part No	Remark2
A	73710-30T11	Combination lamp 三色后组合灯	2			
1	00067-0550A	Screw 螺钉M5x50	4			73710-30T11
2	73728-30T11	Rear lamp lens 三色后组合灯罩	2			73710-30T11
3	73729-30T11	Rear lamp bulbs 三色后组合灯泡	2	12V/10W		73710-30T11
4	73730-30T11	Rear lamp bulbs 三色后组合灯泡	2	12V/21W		73710-30T11
5	73731-30T11	Rear lamp body 三色后组合灯座	2			73710-30T11
6	73732-30T11	Reay lamp bulbs 三色后组合灯泡	2	12V/21/5W		73710-30T11
7	06170-0500A	Nut 螺母M5	4			73710-30T11

三色后组合灯

REAR COMBINATION LAMP

图59

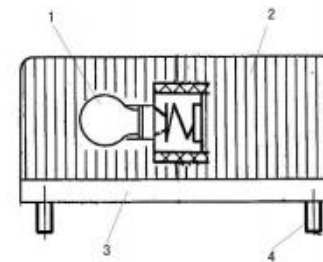
Fig 59



序号	零件编号	零部件名称	数量	备注	供方零件号	备注2
Item No	Part No	Description	QTY	Remark	Supplier Part No	Remark2
A	73714-30T11	Head lamp 前小灯	2			
1	73734-30T11	Bulb 灯泡	1	12V/21W		
2	73733-30T11	Front lamp lens 前小灯罩	1			73714-30T11
3	73735-30T11	Front lamp body 前小灯座	1			73714-30T11
4	00067-0455A	Screw 螺钉M4x55	2			

前小灯
60

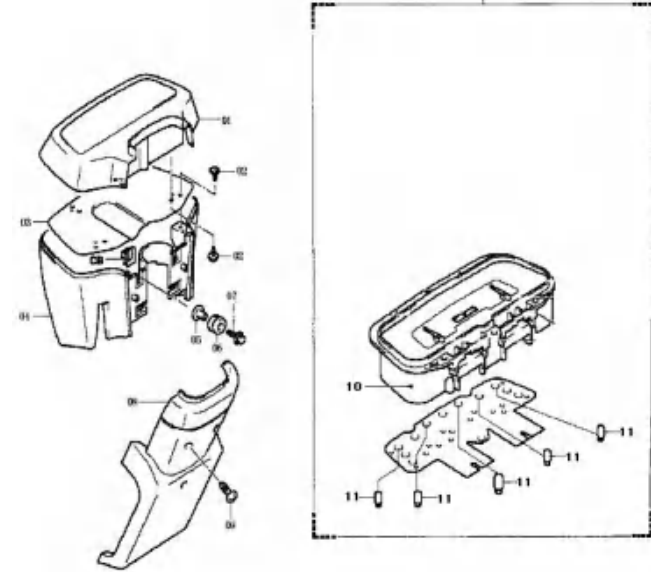
FRONT LAMP
Fig 60



序号	零件编号	零部件名称	数量	备注	供方零件号	备注2
Item No	Part No	Description	QTY	Remark	Supplier Part No	Remark2
A	24800-30T11	Combination Meter	1			
1	248A0-30T11	Meter panel ass'y	1			24800-30T11
2	00067-0520A	Screw	8			
3	24801-30T11	Connect plate	1			24800-30T11
4	24802-30T11	Down cover	1			
5	48005-30T01	Bolt support	4			
6	48004-30T11	Rubber shim	4			
7	05782-0625A	Bolt	4			
8	24803-30T11	Cover	1			24800-30T11
9	00067-0625A	Screw	3			
10	24808-30T11	Meter body	1			
11	24809-30T11	Lens warning	5			

仪表总成
图61

COMBINATION METER
Fig 61



序号	零件编号	零部件名称	数量	备注	供方零件号	备注2	标牌	Label
Item No	Part No	Description	QTY	Remark	Supplier Part No	Remark2	图62	Fig 62
1	99103-30T11	Label, lift 起吊标牌	4					
2	99104-30T11	Decal, warning 警告标记	2					
3	99113-30T11	Decal, prohibit climbing 禁爬标记	2					
4	99105-30T11	Decal, air pressur 气压标牌	2					
5	99101-15T11	Decal, modle 型号标牌	2					
6	99122-30T11	Name plate 铭牌	1					
7	99102-15T11	Decal, capacity 载荷曲线	1	15T8 2W/2F				
	99116-15T11	Decal, capacity 载荷曲线	1	15T8 3F				
	99102-18T11	Decal, capacity 载荷曲线	1	18T8 2W/2F				
	99116-18T11	Decal, capacity 载荷曲线	1	18T8 3F				
8	99106-30T11	Decal, hydraulic oil 制动液标记	1					
9	99107-30T11	Decal, caution 检查要领	1					
10	99108-30T11	Decal, lubrication 润滑图	1					
11	99109-30T11	Decal, add water 水箱警示牌	1					
12	99112-30T11	Decal, strictly prohibit water 严禁冲水标牌	1					
13	99110-30T11	Decal, fuel 燃油标记	1					
14	99123-30T11	Decal, fan safty 风扇标牌	1					
15	99115-30T11	hydraulic oil M. 液压油标记	1					
16	99117-30T11	mast safty M. 安全标记(门架夹手)	1					
17	99111-30T11	Fan safty M. 安全标记(风扇夹手)	1					
18	99118-30T11	hand brake M. 手制动	1					
19	99119-30T11	seat belt M. 安全标记(安全带)	1					
20	99120-30T11	Cap M. 安全标记(安全帽)	1					
21	99121-30T11	CE M. CE标记	1					

